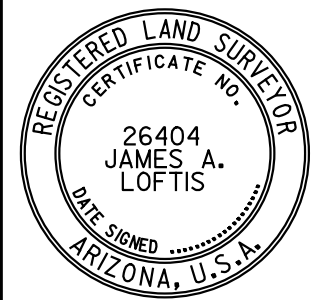


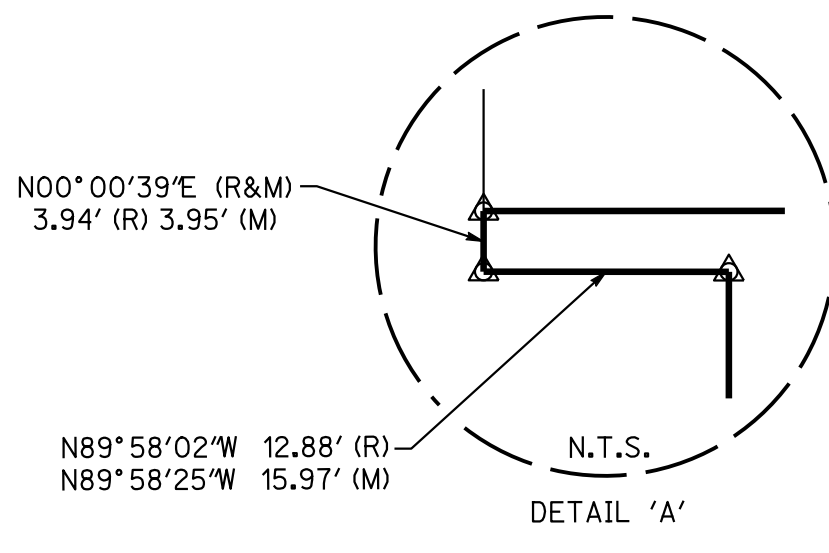
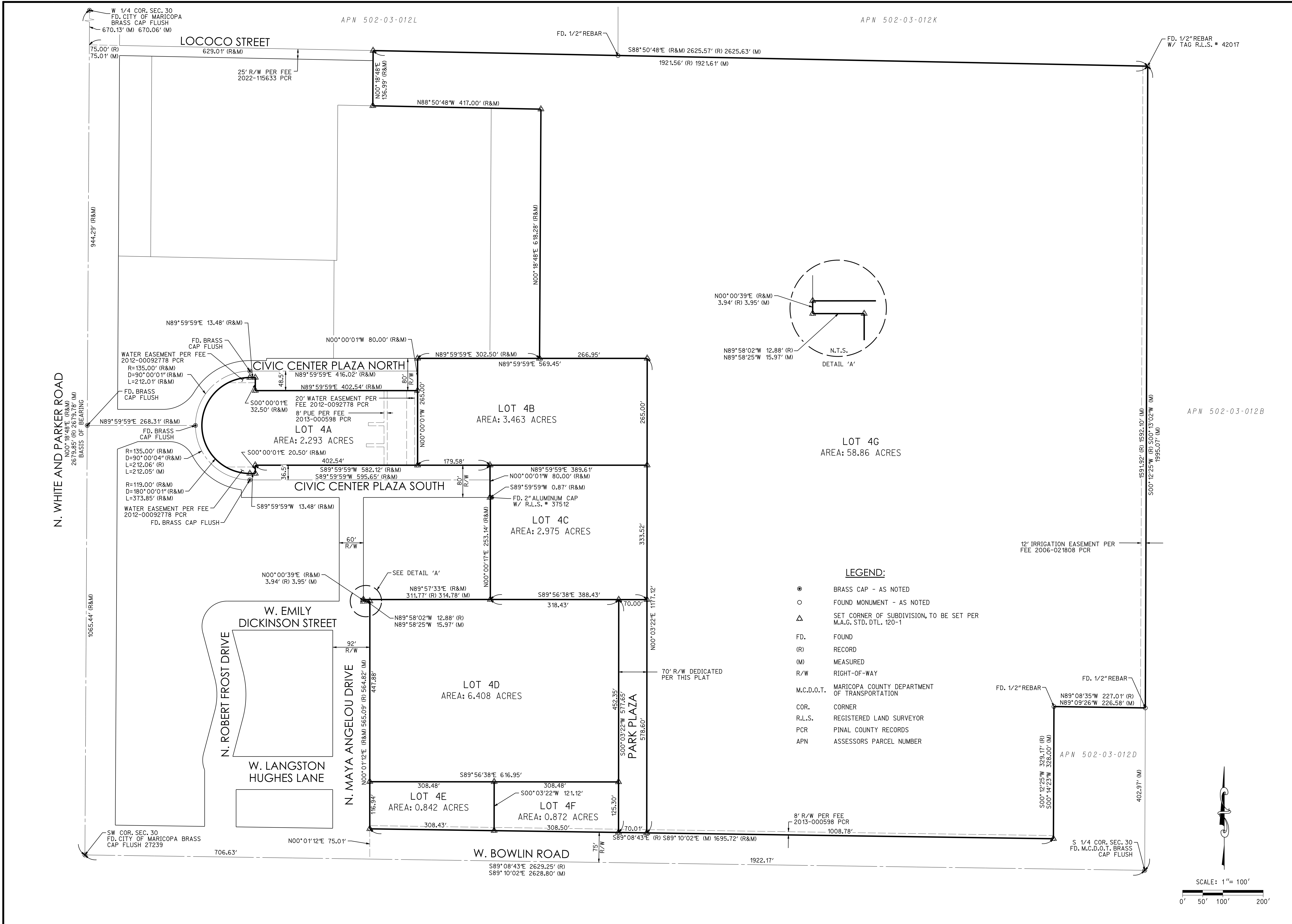
# MARICOPA CITY COMPLEX

FINAL PLAT



**3eengineering**  
 planning civil engineering surveying  
 3 ENGINEERING, LLC  
 6370 E. THOMAS ROAD  
 SUITE # 200  
 SCOTTSDALE, ARIZONA 85251  
 PHONE: (602) 334-4387  
 FAX: (602) 495-3230  
 WWW.3ENGINEERING.COM

DATE: 01/25/24  
 PROJECT NO:  
**2188**  
 SHEET NO:  
**FP02**  
 2 of 2



- LEGEND:**
- BRASS CAP - AS NOTED
  - FOUND MONUMENT - AS NOTED
  - △ SET CORNER OF SUBDIVISION, TO BE SET PER M.A.G. STD. DTL. 120-1
  - FD. FOUND
  - (R) RECORD
  - (M) MEASURED
  - R/W RIGHT-OF-WAY
  - M.C.D.O.T. MARICOPA COUNTY DEPARTMENT OF TRANSPORTATION
  - COR. CORNER
  - R.L.S. REGISTERED LAND SURVEYOR
  - PCR PINAL COUNTY RECORDS
  - APN ASSESSORS PARCEL NUMBER

