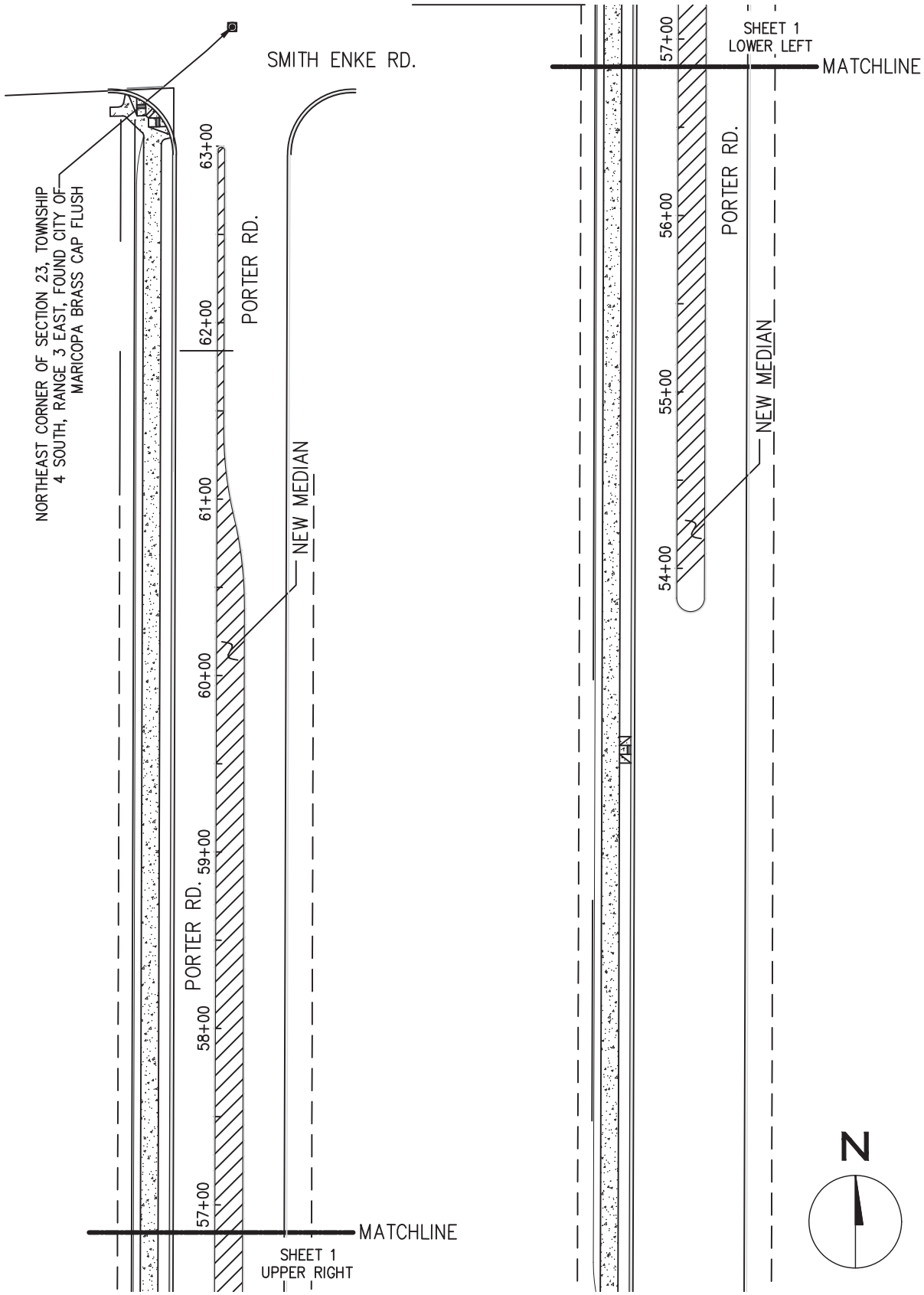


EXHIBIT 'A'

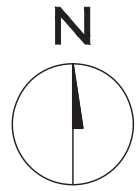
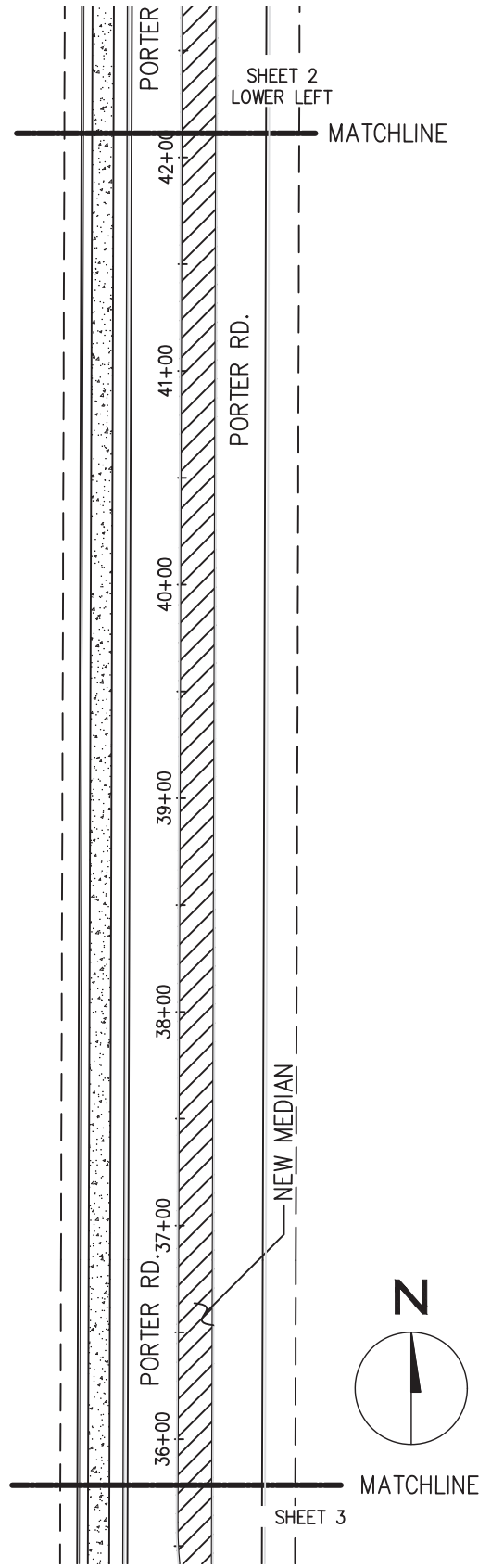
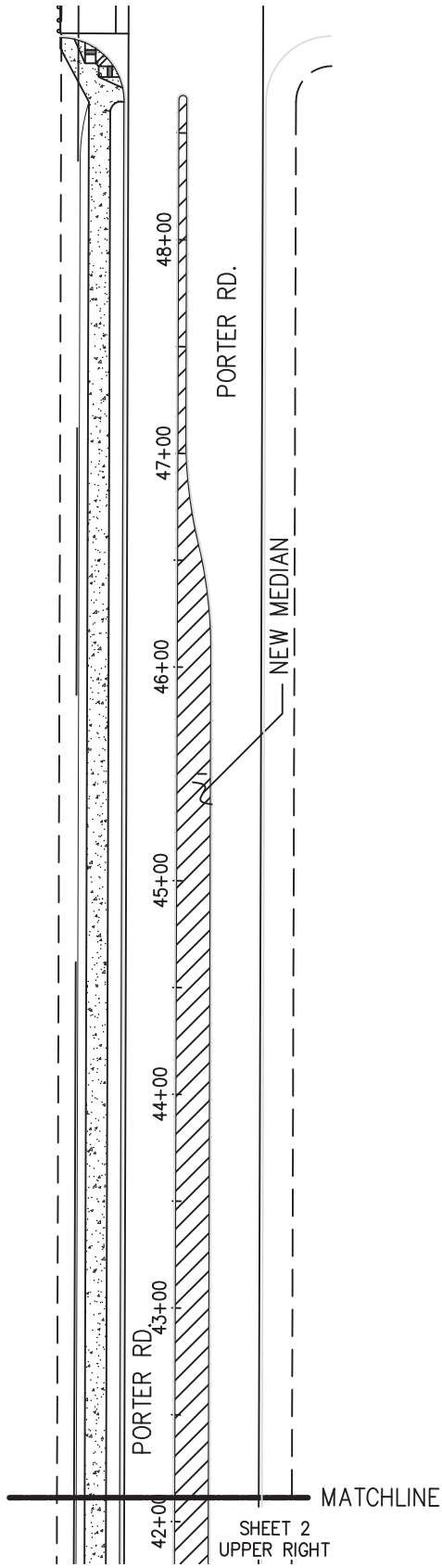


SHEET:
1 OF 5

DATE: 08/08/22
DRAWN: E.R.

EXHIBIT 'A' - PORTER ROAD IMPROVEMENTS
CITY OF MARICOPA. AZ.





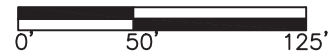
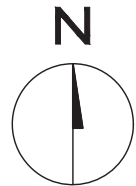
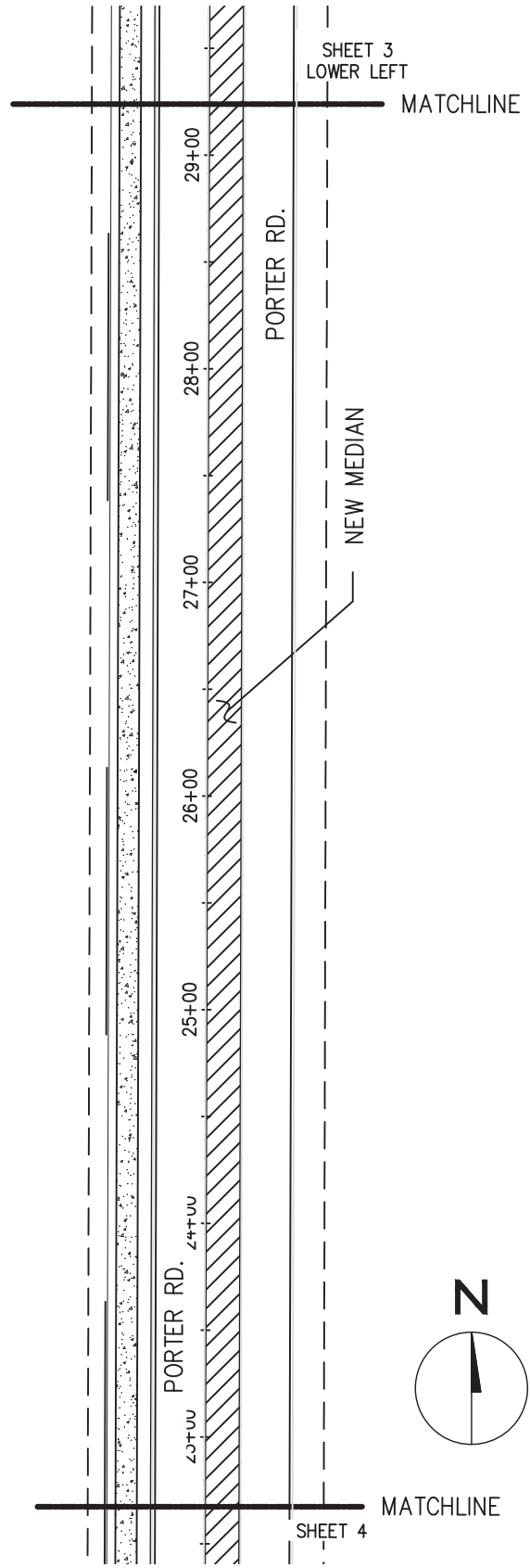
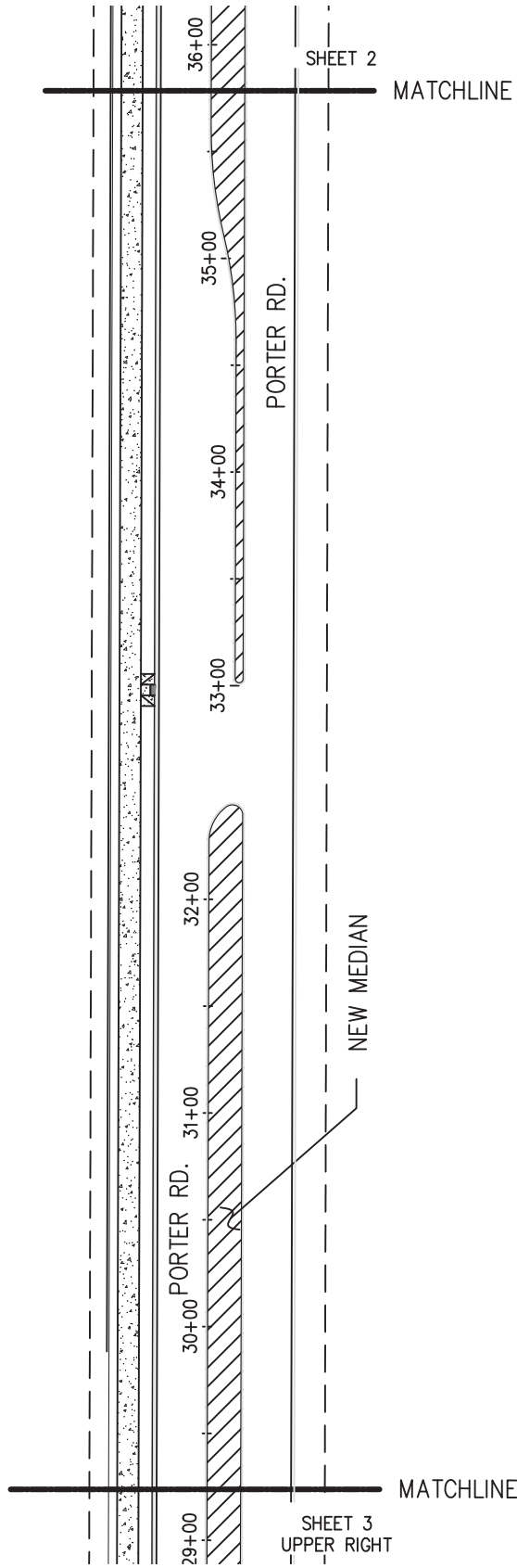
SHEET:
2 OF 5

DATE: 08/08/22
DRAWN: E.R.

EXHIBIT 'A' - PORTER ROAD IMPROVEMENTS

CITY OF MARICOPA. AZ.





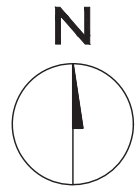
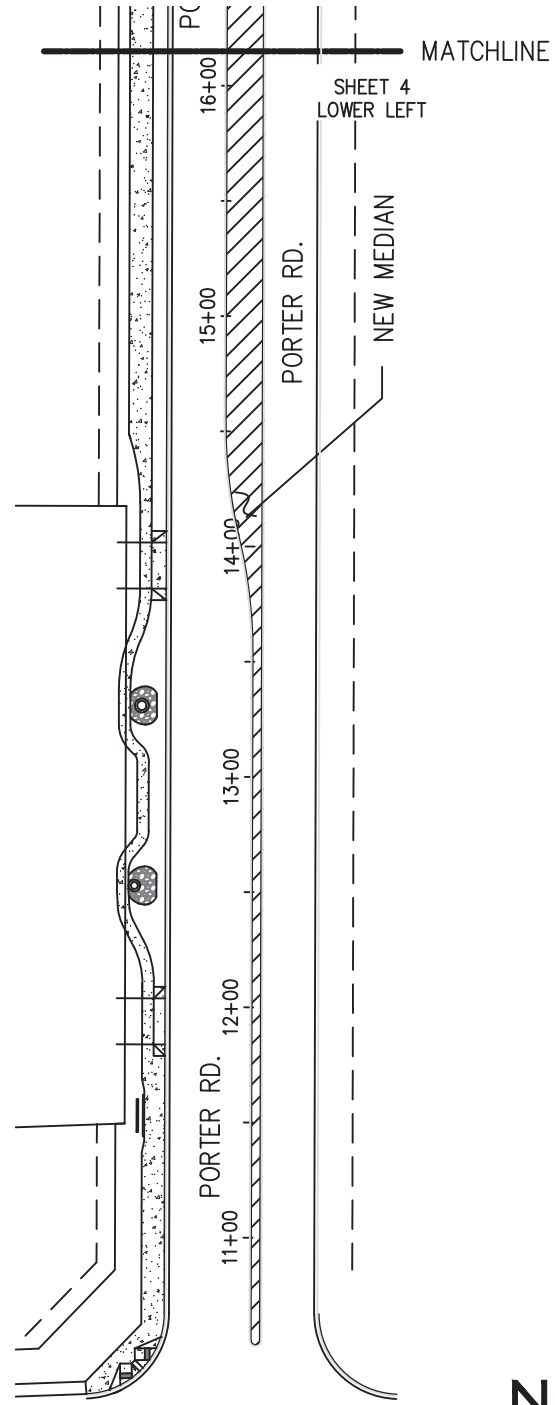
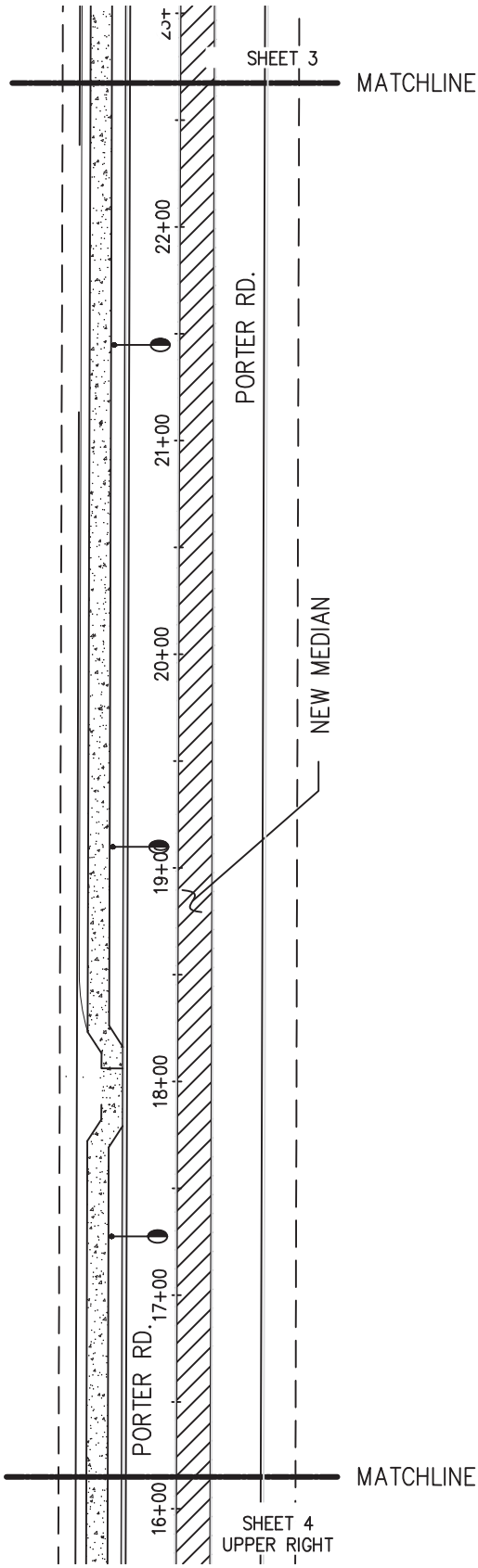
SHEET:
3 OF 5

DATE: 08/08/22
DRAWN: E.R.

EXHIBIT 'A' - PORTER ROAD IMPROVEMENTS

CITY OF MARICOPA, AZ.





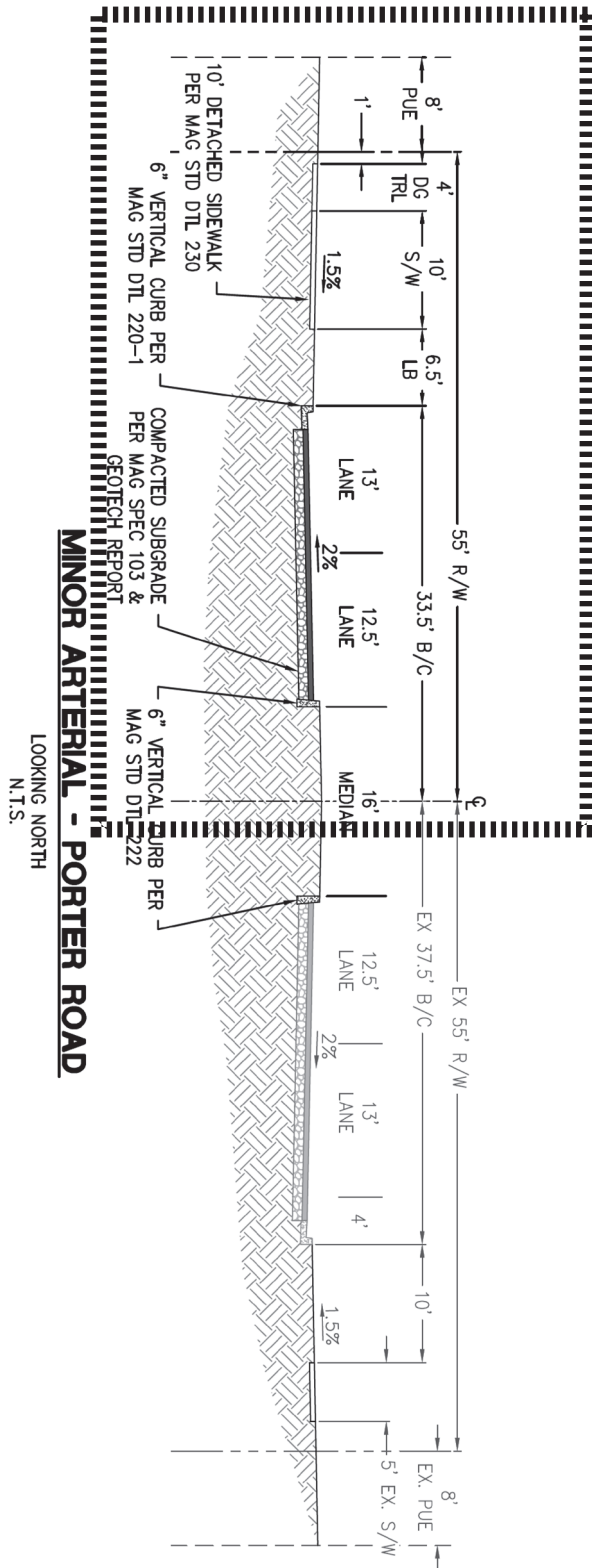
SHEET:
4 OF 5

DATE: 08/08/22
DRAWN: E.R.

EXHIBIT 'A' - PORTER ROAD IMPROVEMENTS
CITY OF MARICOPA. AZ.



WEST SIDE OF PORTER RD. TO BE
ACCEPTED FOR MAINTANENCE



MINOR ARTERIAL - PORTER ROAD

LOOKING NORTH
N.T.S.

SHEET:
5 OF 5

DATE: 08/08/22
DRAWN: E.R.

EXHIBIT 'A' - PORTER ROAD IMPROVEMENTS
CITY OF MARICOPA, AZ.

