

**PLANT SYMBOLS:**

GENUS/SPECIES	COMMON NAME
<b>TREES:</b>	
TIPUANA TIPU	TIPU
ULMUS PARVIFOLIA	CHINESE ELM
PARKINSONIA FLORIDA	BLUE PALO VERDE
PISTACIA CHINENSIS 'RED PUSH'	RED PUSH PISTACHE
OLNEYA TESOTA	IRONWOOD
CHILOPSIS LINEARIS ARTS SEEDLESS	SEEDLESS DESERT WILLOW
ACACIA WILLARANDIA	PALO BLANCO
SOPHORA SECUNDIFLORA	TEXAS MOUNTAIN LAUREL
PHOENIX DACTYLIFERA	DATE PALM

<b>SHRUBS:</b>	
CALLIANDRA ERIOPHYLLA	PINK FAIRY DUSTER
CHRYSACTINA MEXICANA	DAMIANITA
ENCILIA FARINOSA	BRITTLEBUSH
EREMOPHILA MACULATA	VALENTINE BUSH
JUSTICIA CALIFORNICA	CHUPAROSA
RUELLIA BRITTONIANA	MEXICAN PETUNIA
SIMMONDSIA CHINENSIS	JOJOBA
SPHAERALCEA AMBIGUA	GLOBE MALLOW
TECOMA STANS 'SOLAR FLARE'	SOLAR FLARE
TECOMA STANS 'CRIMSON FLARE'	CRIMSON FLARE
DALEA FRUTESCENS	BLACK DALEA
RUSSELLIA EQUISETIFORMIS	CORAL FOUNTAIN

<b>ACCENTS:</b>	
ALOE VERA	ALOE
BULBINE FRUTESCENS	STALKED BULBINE
BOUTELOUA CURTIPENDULA	SIDEOTS GRAMA
EUPHORBIA RIGIDA	GOPHER PLANT
HESPERALE PARVIFLORA 'BRAKELIGHTS'	'BREAKLIGHTS' YUCCA
MUHLENBERGIA CAPILLARIS 'REGAL MIST'	PINK MUHLY
MUHLENBERGIA RIGENS	DEER GRASS
SPHAGNETICOLA TRILOBATA	YELLOW DOT
HESPERALOE FUNIFERA	GIANT HESPERALOE
DASYLIRION QUADRANGULATUM	MEXICAN DEER GRASS
PORTULACARIA AFRA MINIMA	DWARF ELEPHANT FOOD
YUCCA PALLIDA	PALE-LEAF YUCCA
YUCCA RUPICOLA	TWISTED LEAF YUCCA



PRELIMINARY  
NOT FOR  
CONSTRUCTION

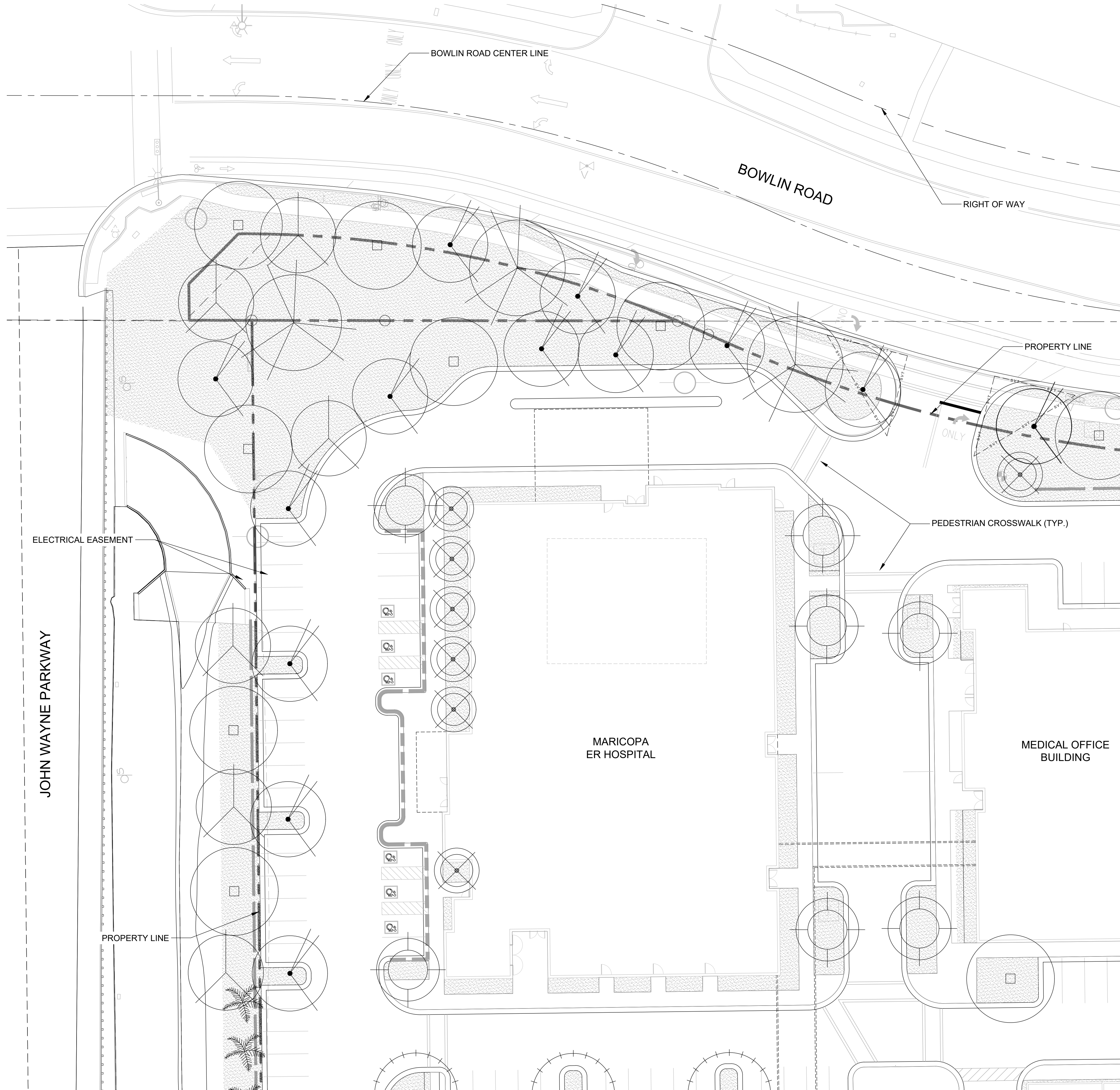
NO.	BY	DATE	REVISION	APPR.	DATE

**DISTRICT 3 AT COPPER SKY**

**LANDSCAPE PLAN**

DESIGNED:	DRAWN:	CHECKED:	DWG. NO.	SHEET NO.	TOTAL SHEETS
SW/JB	SW	JB	LS200	OF	OF
DATE: 8/2022	DATE: 8/2022	DATE: 8/2022	LS200	OF	OF

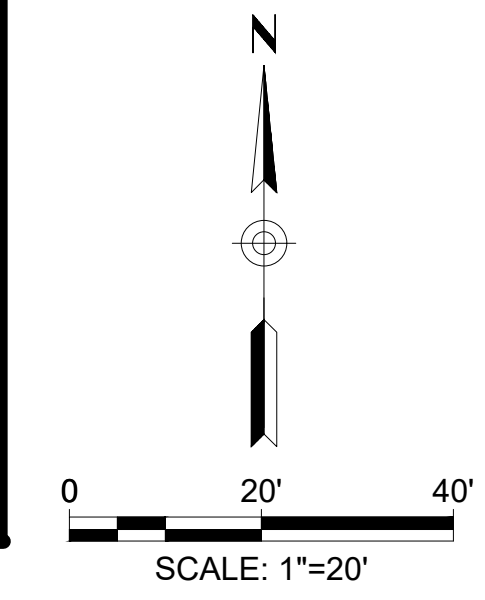




PLANT SYMBOLS:

GENUS/SPECIES	COMMON NAME
<b>TREES:</b>	
TIPUANA TIPU	TIPU
ULMUS PARVIFOLIA	CHINESE ELM
PARKINSONIA FLORIDA	BLUE PALO VERDE
PISTACIA CHINENSIS 'RED PUSH'	RED PUSH PISTACHE
OLNEYA TESOTA	IRONWOOD
CHILOPSIS LINEARIS ART'S SEEDLESS	SEEDLESS DESERT WILLOW
ACACIA WILLARANDIA	PALO BLANCO
SOPHORA SECUNDFLORA	TEXAS MOUNTAIN LAUREL
PHOENIX DACTYLIFERA	DATE PALM
<b>SHRUBS:</b>	
CALLIANDRA ERIOPHYLLA	PINK FAIRY DUSTER
CHRYSACTINA MEXICANA	DAMIANITA
ENCILIA FARINOSA	BRITTLEBUSH
EREMOPHILA MACULATA	VALENTINE BUSH
JUSTICIA CALIFORNICA	CHUPAROSA
RUELLIA BRITTONIANA	MEXICAN PETUNIA
SIMMONDSIA CHINENSIS	JOJOBA
SPHAERALCEA AMBIGUA	GLOBE MALLOW
TECOMA STANS 'SOLAR FLARE'	SOLAR FLARE
TECOMA STANS 'CRIMSON FLARE'	CRIMSON FLARE
DALEA FRUTESCENS	BLACK DALEA
RUSSELLIA EQUISETIFORMIS	CORAL FOUNTAIN
<b>ACCENTS:</b>	
ALOE VERA	ALOE
BULBINE FRUTESCENS	STALKED BULBINE
BOUTELLOUA CURTIPENDULA	SIDEOATS GRAMA
EUPHORBIA RIGIDA	GOPHER PLANT
HESPERALE PARVIFLORA 'BRAKELIGHTS'	'BREAKLIGHTS' YUCCA
MUHLENBERGIA CAPILLARIS 'REGAL MIST'	PINK MUHLY
MUHLENBERGIA RIGENS	DEER GRASS
SPHAGNETICOLA TRILOBATA	YELLOW DOT
HESPERALOE FUNIFERA	GIANT HESPERALOE
DASYLIRION QUADRANGULATUM	MEXICAN DEER GRASS
PORTULACARIA AFRA MINIMA	DWARF ELEPHANT FOOD
YUCCA PALLIDA	PALE-LEAF YUCCA
YUCCA RUPICOLA	TWISTED LEAF YUCCA

MATCH LINE - SEE SHEET LS202



MATCH LINE - SEE SHEET LS203



PRELIMINARY  
NOT FOR  
CONSTRUCTION

NO.	BY	DATE	REVISION	APPR.	DATE

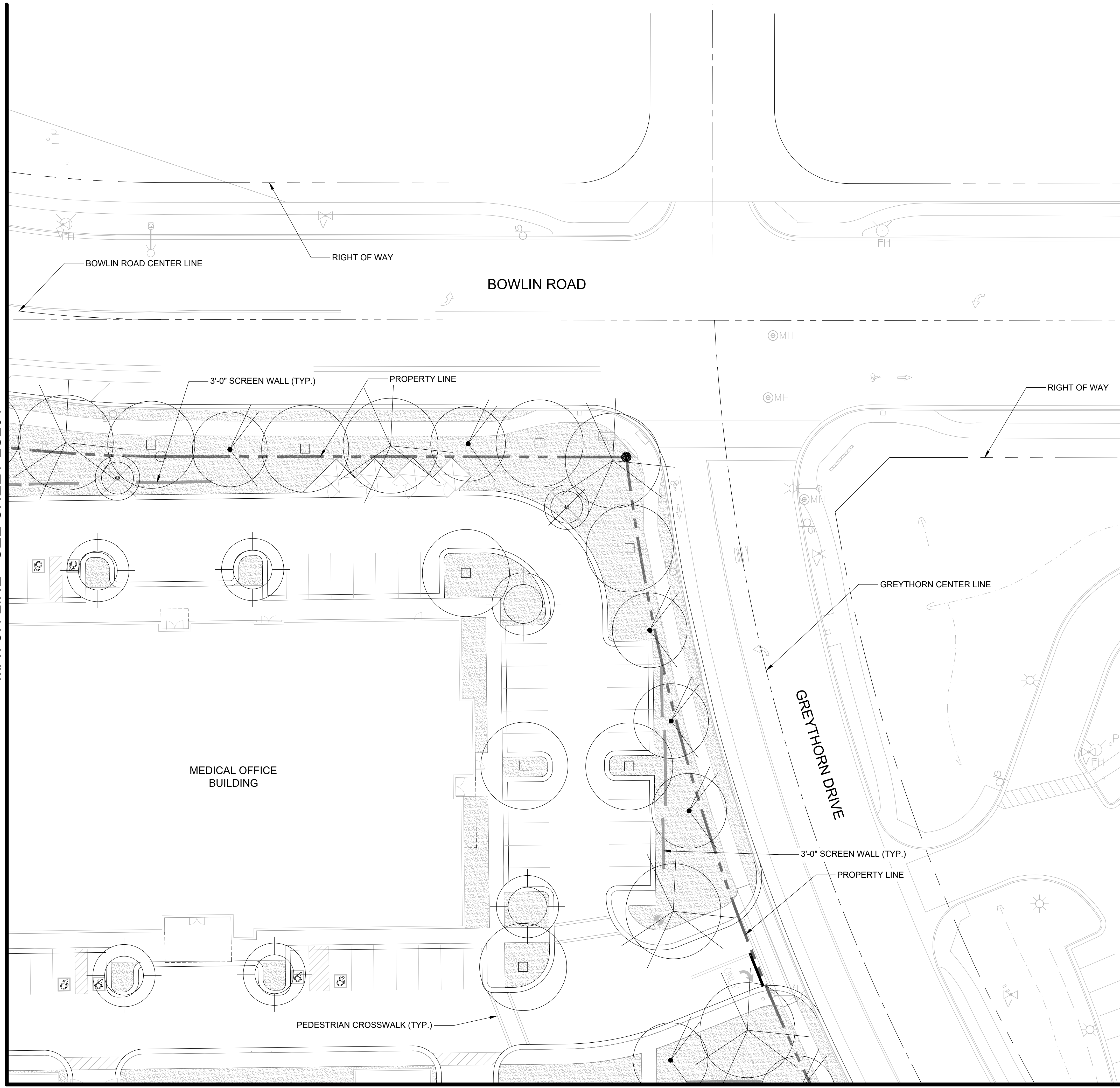
DISTRICT 3 AT COPPER SKY

LANDSCAPE PLAN

DESIGNED:	DRAWN:	CHECKED:	DWG. NO.	SHEET NO.	TOTAL SHEETS
SW/JB	SW	JB	LS201	OF	OF
DATE: 8/2022	DATE: 8/2022	DATE: 8/2022			

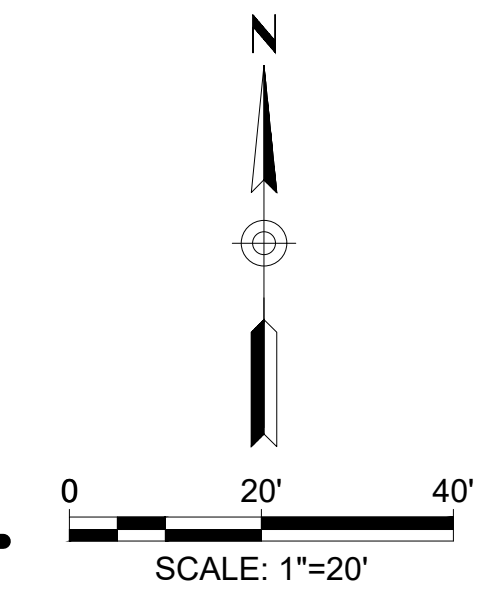


MATCH LINE - SEE SHEET LS201



**PLANT SYMBOLS:**

GENUS/SPECIES	COMMON NAME
<b>TREES:</b>	
TIPUANA TIPU	TIPU
ULMUS PARVIFOLIA	CHINESE ELM
PARKINSONIA FLORIDA	BLUE PALO VERDE
PISTACIA CHINENSIS 'RED PUSH'	RED PUSH PISTACHE
OLNEYA TESOTA	IRONWOOD
CHILOPSIS LINEARIS ART'S SEEDLESS	SEEDLESS DESERT WILLOW
ACACIA WILLARANDIA	PALO BLANCO
SOPHORA SECUNDFLORA	TEXAS MOUNTAIN LAUREL
PHOENIX DACTYLIFERA	DATE PALM
<b>SHRUBS:</b>	
CALLIANDRA ERIOPHYLLA	PINK FAIRY DUSTER
CHRYSACTINA MEXICANA	DAMIANITA
ENCILIA FARINOSA	BRITTLEBUSH
EREMOPHILA MACULATA	VALENTINE BUSH
JUSTICIA CALIFORNICA	CHUPAROSA
RUPELLIA BRITTONIANA	MEXICAN PETUNIA
SIMMONDSIA CHINENSIS	JOJOBA
SPHAERALCEA AMBIGUA	GLOBE MALLOW
TECOMA STANS 'SOLAR FLARE'	SOLAR FLARE
TECOMA STANS 'CRIMSON FLARE'	CRIMSON FLARE
DALEA FRUTESCENS	BLACK DALEA
RUSSELLIA EQUISETIFORMIS	CORAL FOUNTAIN
<b>ACCENTS:</b>	
ALOE VERA	ALOE
BULBINE FRUTESCENS	STALKED BULBINE
BOUTELOUA CURTIPENDULA	SIDEOATS GRAMA
EUPHORBIA RIGIDA	GOPHER PLANT
HESPERALE PARVIFLORA 'BRAKELIGHTS'	'BREAKLIGHTS' YUCCA
MUHLENBERGIA CAPILLARIS 'REGAL MIST'	PINK MUHLY
MUHLENBERGIA RIGENS	DEER GRASS
SPHAGNETICOLA TRILOBATA	YELLOW DOT
HESPERALOE FUNIFERA	GIANT HESPERALOE
DASYLIRION QUADRANGULATUM	MEXICAN DEER GRASS
PORTULACARIA AFRA MINIMA	DWARF ELEPHANT FOOD
YUCCA PALLIDA	PALE-LEAF YUCCA
YUCCA RUPICOLA	TWISTED LEAF YUCCA



MATCH LINE - SEE SHEET LS204



PRELIMINARY  
NOT FOR  
CONSTRUCTION

NO.	BY	DATE	REVISION	APPR.	DATE

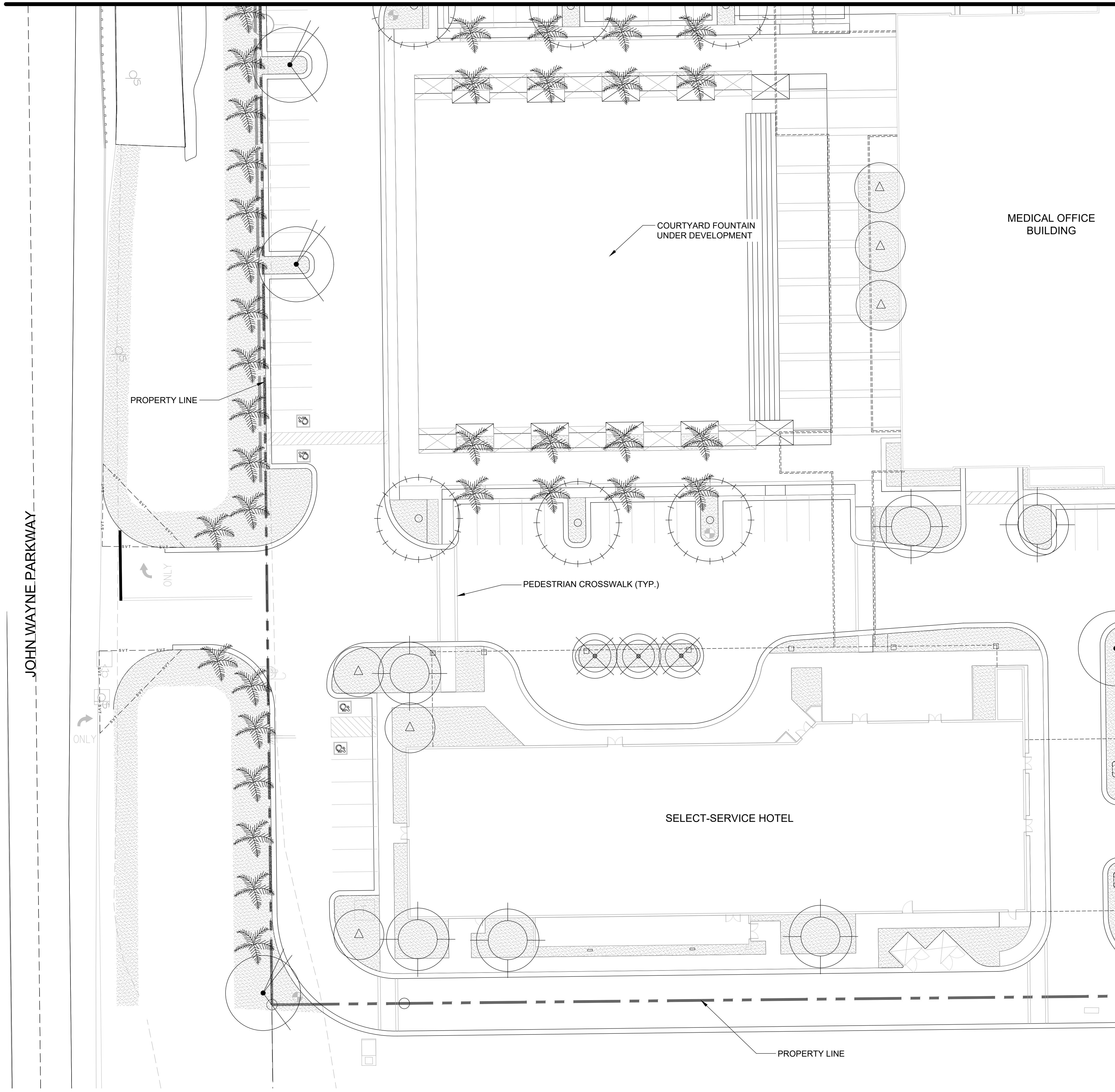
**DISTRICT 3 AT COPPER SKY**

**LANDSCAPE PLAN**

DESIGNED:	DRAWN:	CHECKED:	DWG. NO.	SHEET NO.	TOTAL SHEETS
SW/JB	SW	JB	LS202	OF	OF
DATE: 8/2022	DATE: 8/2022	DATE: 8/2022	LS202	OF	OF



MATCH LINE - SEE SHEET LS201

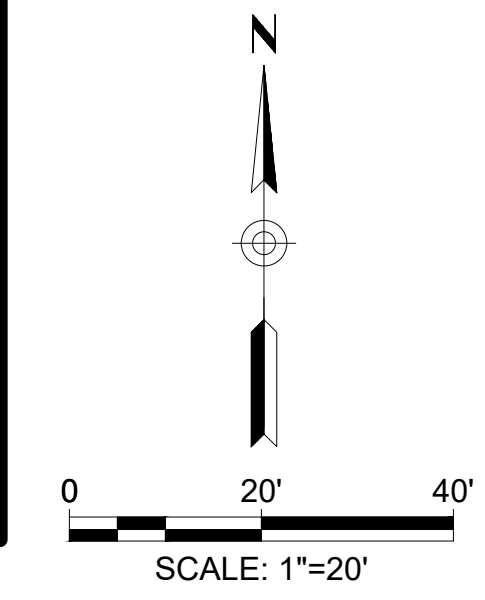


PLANT SYMBOLS:

GENUS/SPECIES	COMMON NAME
<b>TREES:</b>	
TIPUANA TIPU	TIPU
ULMUS PARVIFOLIA	CHINESE ELM
PARKINSONIA FLORIDA	BLUE PALO VERDE
PISTACIA CHINENSIS 'RED PUSH'	RED PUSH PISTACHE
OLNEYA TESOTA	IRONWOOD
CHILOPSIS LINEARIS ART'S SEEDLESS	SEEDLESS DESERT WILLOW
ACACIA WILLARANDIA	PALO BLANCO
SOPHORA SECUNDFLORA	TEXAS MOUNTAIN LAUREL
PHOENIX DACTYLIFERA	DATE PALM

<b>SHRUBS:</b>	
CALLIANDRA ERIOPHYLLA	PINK FAIRY DUSTER
CHRYSACTINA MEXICANA	DAMIANITA
ENCILIA FARINOSA	BRITTLEBUSH
EREMOPHILA MACULATA	VALENTINE BUSH
JUSTICIA CALIFORNICA	CHUPAROSA
RUPELLIA BRITTONIANA	MEXICAN PETUNIA
SIMMONDSIA CHINENSIS	JOJOBA
SPHAERALCEA AMBIGUA	GLOBE MALLOW
TECOMA STANS 'SOLAR FLARE'	SOLAR FLARE
TECOMA STANS 'CRIMSON FLARE'	CRIMSON FLARE
DALEA FRUTESCENS	BLACK DALEA
RUSSELLIA EUISETIFORMIS	CORAL FOUNTAIN

<b>ACCENTS:</b>	
ALOE VERA	ALOE
BULBINE FRUTESCENS	STALKED BULBINE
BOUTELOUA CURTIPENDULA	SIDEOATS GRAMA
EUPHORBIA RIGIDA	GOPHER PLANT
HESPERALE PARVIFLORA 'BRAKELIGHTS'	'BREAKLIGHTS' YUCCA
MUHLENBERGIA CAPILLARIS 'REGAL MIST'	PINK MUHLY
MUHLENBERGIA RIGENS	DEER GRASS
SPHAGNETICOLA TRILOBATA	YELLOW DOT
HESPERALOE FUNIFERA	GIANT HESPERALOE
DASYLIRION QUADRANGULATUM	MEXICAN DEER GRASS
PORTULACARIA AFRA MINIMA	DWARF ELEPHANT FOOD
YUCCA PALLIDA	PALE-LEAF YUCCA
YUCCA RUPICOLA	TWISTED LEAF YUCCA



PRELIMINARY  
NOT FOR  
CONSTRUCTION

NO.	BY	DATE	REVISION	APPR.	DATE

DISTRICT 3 AT COPPER SKY

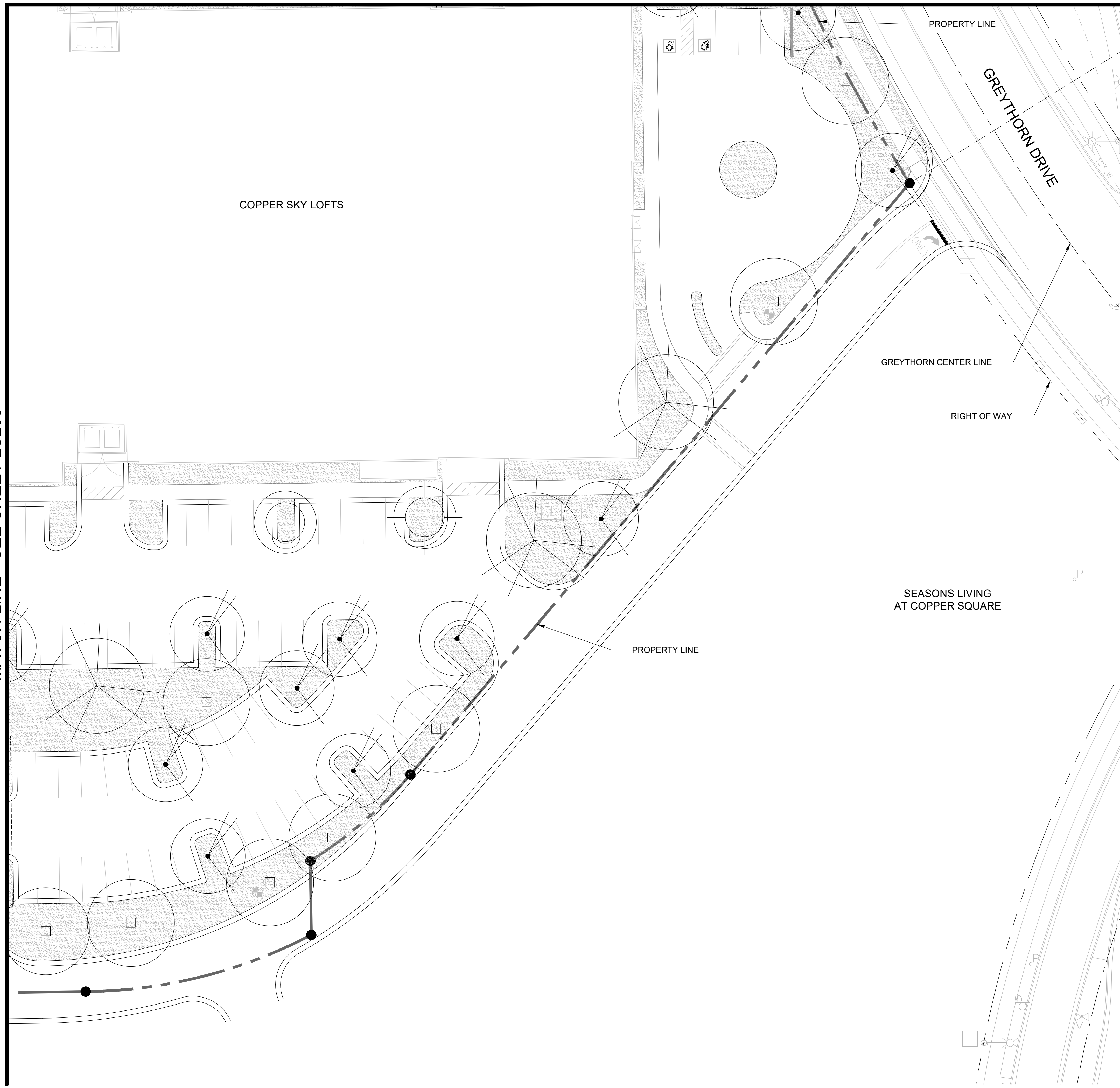
LANDSCAPE PLAN

DESIGNED:	DRAWN:	CHECKED:	DWG. NO.	SHEET NO.	TOTAL SHEETS
SW/JB	SW	JB	LS203	OF	OF
DATE: 8/2022	DATE: 8/2022	DATE: 8/2022			



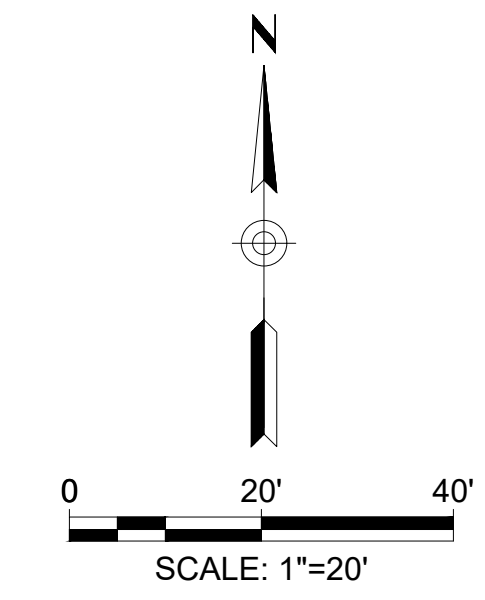
MATCH LINE - SEE SHEET LS202

MATCH LINE - SEE SHEET LS203



PLANT SYMBOLS:

GENUS/SPECIES	COMMON NAME
<b>TREES:</b>	
TIPUANA TIPU	TIPU
ULMUS PARVIFOLIA	CHINESE ELM
PARKINSONIA FLORIDA	BLUE PALO VERDE
PISTACIA CHINENSIS 'RED PUSH'	RED PUSH PISTACHE
OLNEYA TESOTA	IRONWOOD
CHILOPSIS LINEARIS ART'S SEEDLESS	SEEDLESS DESERT WILLOW
ACACIA WILLARANDIA	PALO BLANCO
SOPHORA SECUNDFLORA	TEXAS MOUNTAIN LAUREL
PHOENIX DACTYLIFERA	DATE PALM
<b>SHRUBS:</b>	
CALLIANDRA ERIOPHYLLA	PINK FAIRY DUSTER
CHRYSACTINA MEXICANA	DAMIANITA
ENCILIA FARINOSA	BRITTLEBUSH
EREMOPHILA MACULATA	VALENTINE BUSH
JUSTICIA CALIFORNICA	CHUPAROSA
RUPELLIA BRITTONIANA	MEXICAN PETUNIA
SIMMONDSIA CHINENSIS	JOJOBA
SPHAERALCEA AMBIGUA	GLOBE MALLOW
TECOMA STANS 'SOLAR FLARE'	SOLAR FLARE
TECOMA STANS 'CRIMSON FLARE'	CRIMSON FLARE
DALEA FRUTESCENS	BLACK DALEA
RUSSELLIA EQUISETIFORMIS	CORAL FOUNTAIN
<b>ACCENTS:</b>	
ALOE VERA	ALOE
BULBINE FRUTESCENS	STALKED BULBINE
BOUTELOUA CURTIPENDULA	SIDEOATS GRAMA
EUPHORBIA RIGIDA	GOPHER PLANT
HESPERALE PARVIFLORA 'BRAKELIGHTS'	'BREAKLIGHTS' YUCCA
MUHLENBERGIA CAPILLARIS 'REGAL MIST'	PINK MUHLY
MUHLENBERGIA RIGENS	DEER GRASS
SPHAGNETICOLA TRILOBATA	YELLOW DOT
HESPERALOE FUNIFERA	GIANT HESPERALOE
DASYLIRION QUADRANGULATUM	MEXICAN DEER GRASS
PORTULACARIA AFRA MINIMA	DWARF ELEPHANT FOOD
YUCCA PALLIDA	PALE-LEAF YUCCA
YUCCA RUPICOLA	TWISTED LEAF YUCCA



PRELIMINARY  
NOT FOR  
CONSTRUCTION

NO.	BY	DATE	REVISION	APPR.	DATE

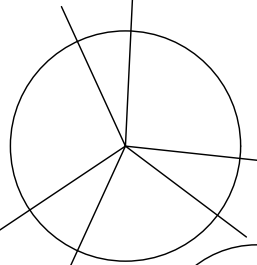
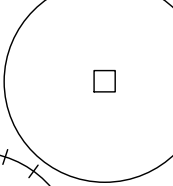
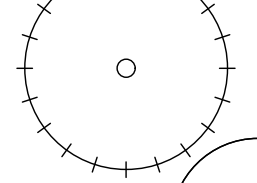
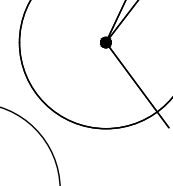
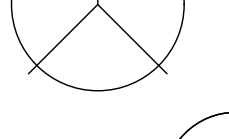
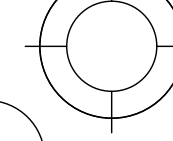
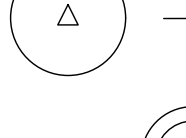
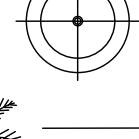

DISTRICT 3 AT COPPER SKY

LANDSCAPE PLAN

DESIGNED:	DRAWN:	CHECKED:	DWG. NO.	SHEET NO.	TOTAL SHEETS
SW/JB	SW	JB	LS204	OF	OF
DATE: 8/2022	DATE: 8/2022	DATE: 8/2022			



PLANT SYMBOLS:

GENUS/SPECIES	COMMON NAME	QTY	SIZE
<b>TREES:</b>			
 TIPUANA TIPU	TIPU	X	36" BOX
 ULMUS PARVIFOLIA	CHINESE ELM	X	36" BOX
 PARKINSONIA PRAEOX	PALO BREA	X	36" BOX
 PISTACIA CHINENSIS 'RED PUSH'	RED PUSH PISTACHE	X	24" BOX
 OLNEYA TESOTA	IRONWOOD	X	36" BOX
 CHIOPSIS LINEARIS ART'S SEEDLESS	SEEDLESS DESERT WILLOW	X	24" BOX
 ACACIA WILLARANDIA	PALO BLANCO	X	24" BOX
 SOPHORA SECUNDIFLORA	TEXAS MOUNTAIN LAUREL	X	24" BOX
 PHOENIX DACTYLIFERA	DATE PALM	X	20' TOTAL HEIGHT

SHRUBS:

 CALLIANDRA ERIOPHYLLA	PINK FAIRY DUSTER	X	5 GAL.
 CHRYSACTINA MEXICANA	DAMIANITA	X	1 GAL.
 ENCELIA FARINOSA	BRITTLEBUSH	X	1 GAL.
 EREMOPHILA MACULATA	VALENTINE BUSH	X	5 GAL.
 JUSTICIA CALIFORNICA	CHUPAROSA	X	5 GAL.
 RUELLIA BRITTONIANA	MEXICAN PETUNIA	X	5 GAL.
 SIMMONDSIA CHINENSIS	JOJOBA	X	5 GAL.
 SPHAERALCEA AMBIGUA	GLOBE MALLOW	X	1 GAL.
 TECOMA STANS 'SOLAR FLARE'	SOLAR FLARE	X	5 GAL.
 TECOMA STANS 'CRIMSON FLARE'	CRIMSON FLARE	X	5 GAL.
 DALEA FRUTESCENS	BLACK DALEA	X	5 GAL.
 RUSSELLIA EQUISETIFORMIS	CORAL FOUNTAIN	X	5 GAL.

ACCENTS: \*

 ALOE VERA	ALOE	X	5 GAL.
 BULBINE FRUTESCENS	STALKED BULBINE	X	5 GAL.
 BOUTELOUA CURTIPENDULA	SIDEOTS GRAMA	X	1 GAL.
 EUPHORBIA RIGIDA	GOPHER PLANT	X	5 GAL.
 HESPERALE PARVIFLORA 'BRAKELIGHTS'	'BRAKELIGHTS' YUCCA	X	5 GAL.
 MUHLENBERGIA CAPILLARIS 'REGAL MIST'	PINK MUHLY	X	5 GAL.
 MUHLENBERGIA RIGENS	DEER GRASS	X	5 GAL.
 SPHAGNETICOLA TRILOBATA	YELLOW DOT	X	1 GAL.
 HESPERALOE FUNIFERA	GIANT HESPERALOE	X	5 GAL.
 DASYLIRION QUADRANGULATUM	MEXICAN GRASS TREE	X	5 GAL.
 PORTULACARIA AFRA MINIMA	DWARF ELEPHANT FOOD	X	5 GAL.
 YUCCA PALLIDA	PALE-LEAF YUCCA	X	5 GAL.
YUCCA RUPICOLA	TWISTED LEAF YUCCA	X	5 GAL.

NOTE:  
INERT GROUNDCOVER SHALL BE MINIMUM  
3/4" MOUNTAIN VISTA BROWN OR SIMILAR  
MATERIAL AT 2 1/2" MINIMUM DEPTH

OPEN SPACE DATA		
	PROVIDED	
	SF	PERCENTAGE
HARDSCAPE MATERIAL	44,970	35%
LANDSCAPE AREA	83,456	65%
<b>TOTAL</b>	<b>128,426</b>	<b>100%</b>

--- SVT --- SITE VISIBILITY TRIANGLE



CORGAN

J2 Design

4649 E COTTON GIN LOOP B2 PHOENIX, AZ 85040 602.438.2221



PRELIMINARY  
NOT FOR  
CONSTRUCTION

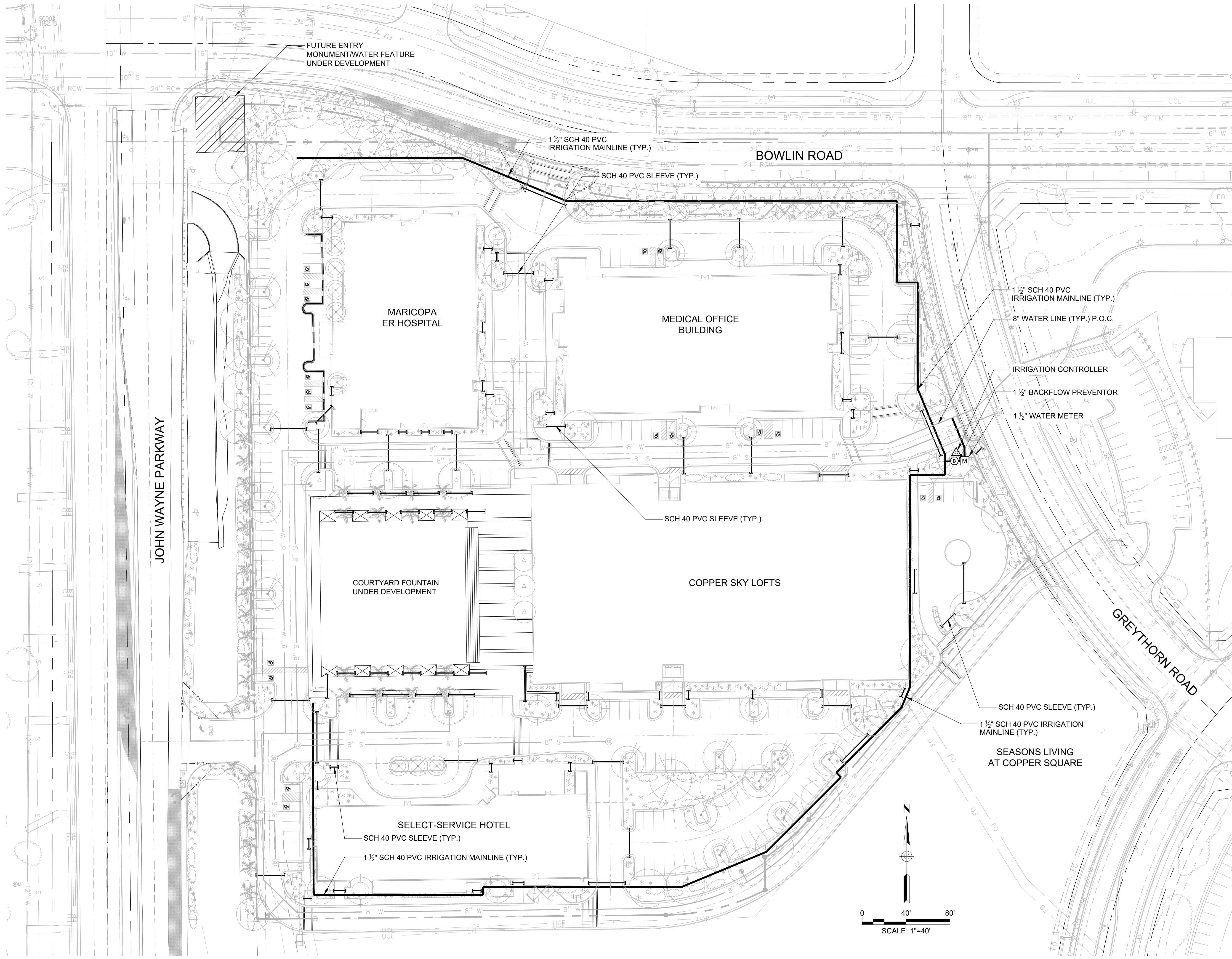
NO.	BY	DATE	REVISION	APPR.	DATE

DISTRICT 3 AT COPPER SKY

LANDSCAPE SCHEDULE

DESIGNED:	DRAWN:	CHECKED:	DWG. NO.	SHEET NO.	TOTAL SHEETS
SW/JB	SW	JB	LS100	OF	OF
DATE:	DATE:	DATE:			
8/2022	8/2022	8/2022			





PRELIMINARY  
 NOT FOR  
 CONSTRUCTION

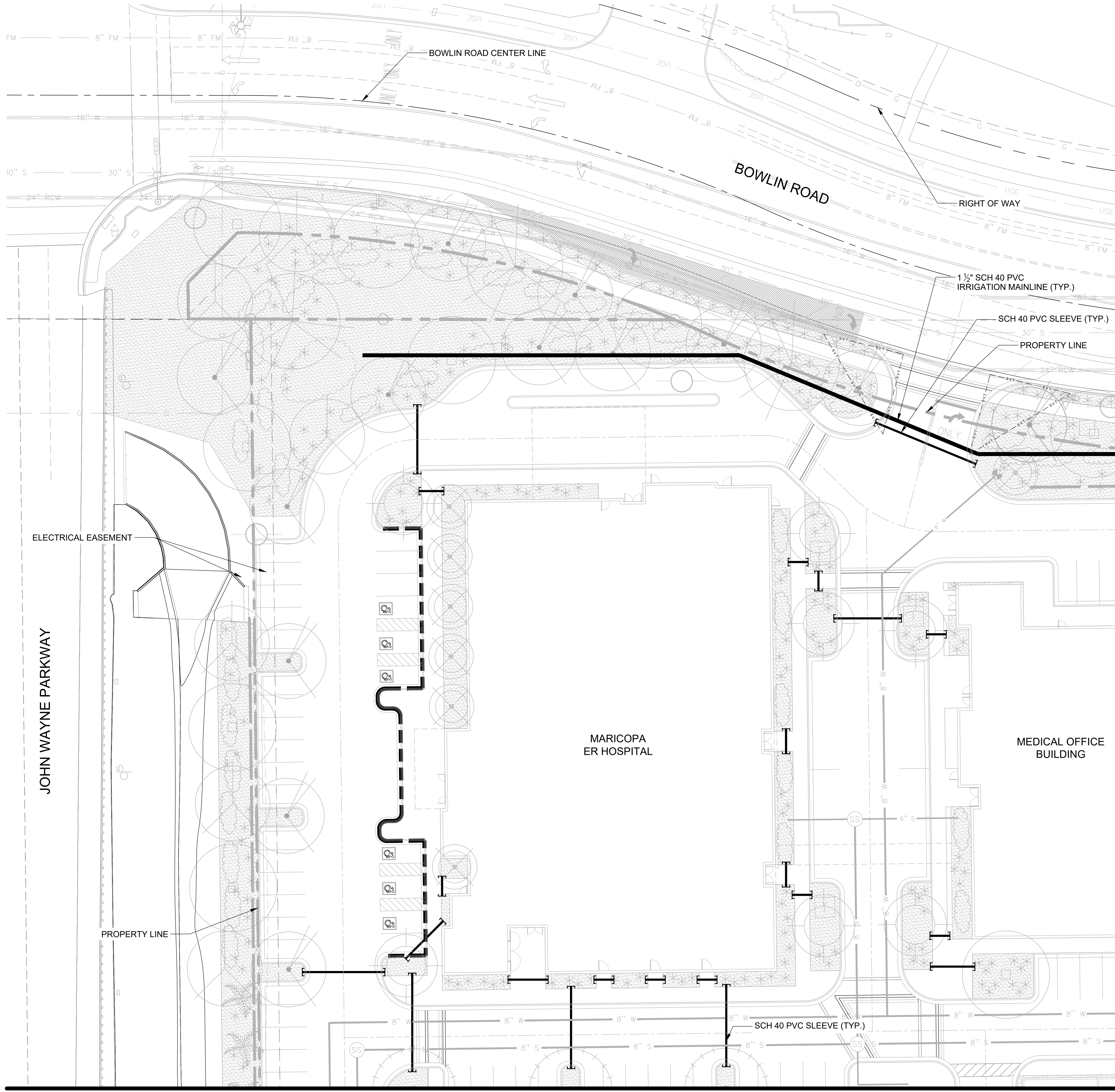
NO.	BY	DATE	REVISION	APPR.	DATE

DISTRICT 3 AT COPPER SKY

OVERALL IRRIGATION PLAN

DESIGNED:	DRAWN:	CHECKED:	DWG. NO.	SHEET NO.	TOTAL SHEETS
SW/JB	SW	JB	IR200	OF	OF
DATE:	DATE:	DATE:			
8/2022	8/2022	8/2022			



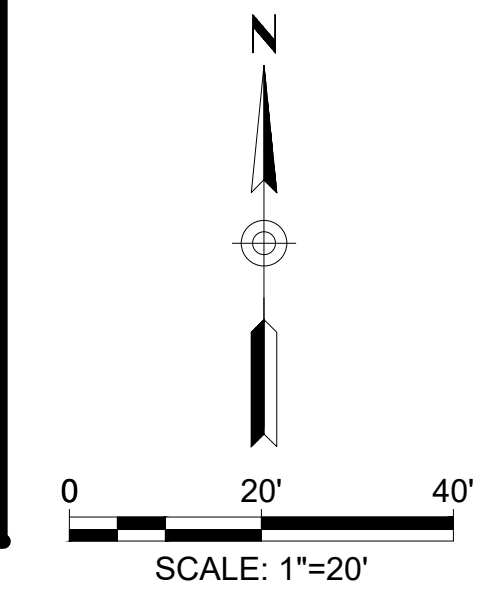


IRRIGATION LEGEND	
SYMBOL:	DESCRIPTION:
	1" WATER METER (SEE CIVIL PLANS)
	BACKFLOW PREVENTION DEVICE
	IRRIGATION CONTROLLER
	MASTER VALVE AND FLOW METER ASSEMBLY
	DRIP REMOTE CONTROL VALVE ASSEMBLIES
	ISOLATION BALL VALVE ASSEMBLY
	LATERAL FLUSH END CAP ASSEMBLY
NOT SHOWN	MULTI-PORT EMITTER ASSEMBLY
	MAINLINE PIPE
	DRIP LATERAL PIPE- TREES
	DRIP LATERAL PIPE- SHRUBS
	PS= PIPE SLEEVE WS= WIRE SLEEVE
	NEW WIRE PATH - SHOWN WHERE WIRE NOT ASSOCIATED WITH MAINLINE PIPE

VALVE KEY LEGEND	
VALVE KEY:	
	CONTROLLER LETTER/ STATION NUMBER
	GPM
	APPLICATION:
	TREE = TREES
	SHRUB = SHRUBS/ GROUNDCOVERS/ ACCENTS
	VALVE SIZE (INCHES)

NOTES:  
 1. SEE IRRIGATION SHEET IR102 FOR COMPLETE IRRIGATION EQUIPMENT INFORMATION.  
 2. IRRIGATION LATERALS AND MAINLINE ARE SCHEMATIC AND SHOULD BE IN LANDSCAPE AREA.

MATCH LINE - SEE SHEET IR202



PRELIMINARY  
NOT FOR  
CONSTRUCTION

NO.	BY	DATE	REVISION	APPR.	DATE

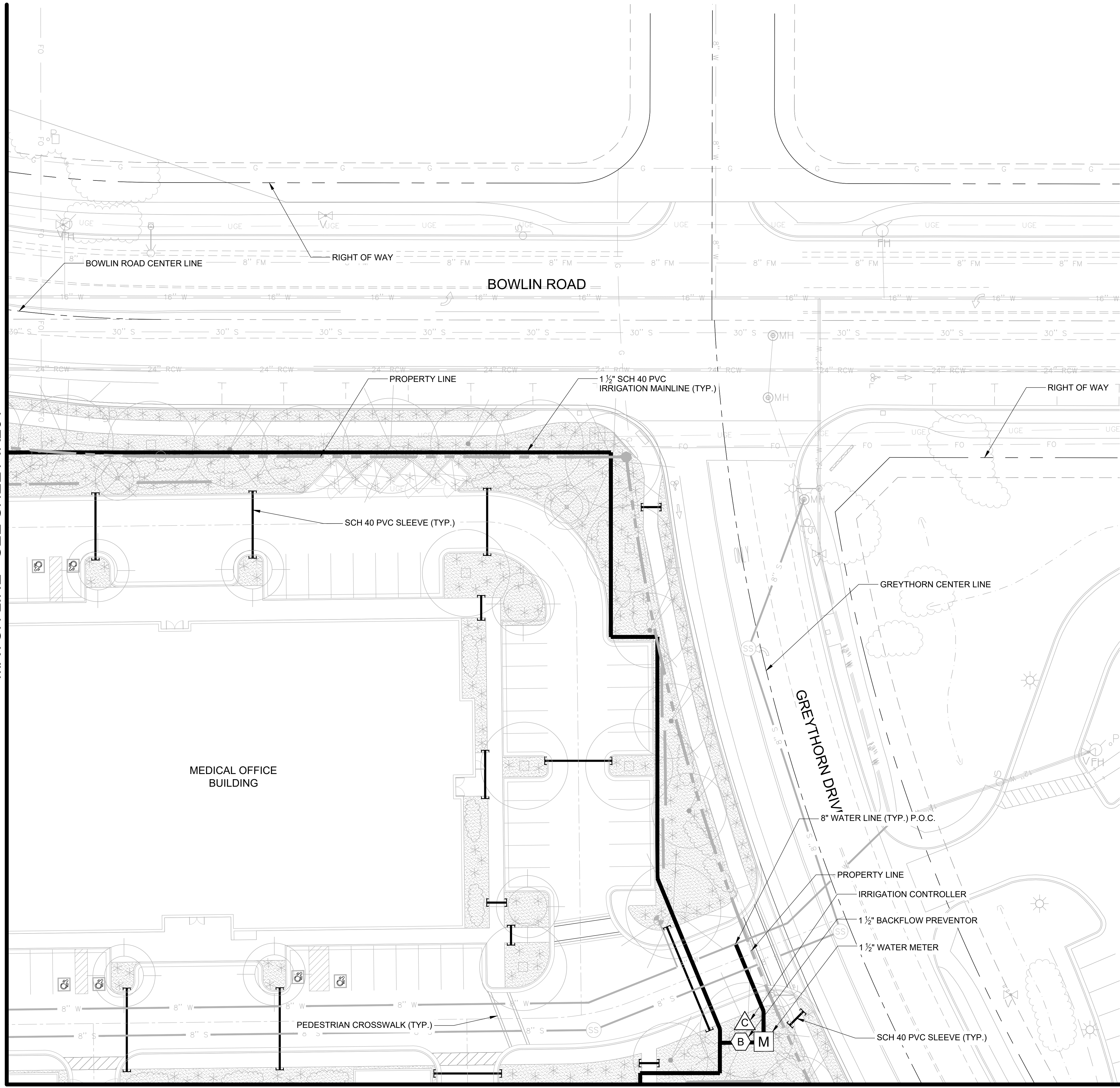
**DISTRICT 3 AT COPPER SKY**

**IRRIGATION PLAN**

DESIGNED:	DRAWN:	CHECKED:	DWG. NO.	SHEET NO.	TOTAL SHEETS
SW/JB	SW	JB	IR201	OF	
DATE: 8/2022	DATE: 8/2022	DATE: 8/2022			

MATCH LINE - SEE SHEET IR203





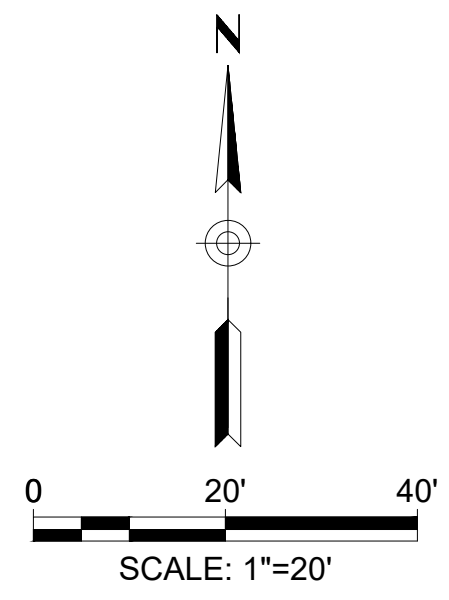
MATCH LINE - SEE SHEET IR201

MATCH LINE - SEE SHEET IR204

IRRIGATION LEGEND	
SYMBOL:	DESCRIPTION:
	1" WATER METER (SEE CIVIL PLANS)
	BACKFLOW PREVENTION DEVICE
	IRRIGATION CONTROLLER
	MASTER VALVE AND FLOW METER ASSEMBLY
	DRIP REMOTE CONTROL VALVE ASSEMBLIES
	ISOLATION BALL VALVE ASSEMBLY
	LATERAL FLUSH END CAP ASSEMBLY
NOT SHOWN	MULTI-PORT EMITTER ASSEMBLY
	MAINLINE PIPE
	DRIP LATERAL PIPE- TREES
	DRIP LATERAL PIPE- SHRUBS
	PS= PIPE SLEEVE
	WS= WIRE SLEEVE
	NEW WIRE PATH - SHOWN WHERE WIRE NOT ASSOCIATED WITH MAINLINE PIPE

VALVE KEY LEGEND	
VALVE KEY:	
	CONTROLLER LETTER/ STATION NUMBER
	GPM
	APPLICATION:
	TREE = TREES
	SHRUB = SHRUBS/ GROUNDCOVERS/ ACCENTS
	VALVE SIZE (INCHES)

- NOTES:
- SEE IRRIGATION SHEET IR102 FOR COMPLETE IRRIGATION EQUIPMENT INFORMATION.
  - IRRIGATION LATERALS AND MAINLINE ARE SCHEMATIC AND SHOULD BE IN LANDSCAPE AREA.



PRELIMINARY  
NOT FOR  
CONSTRUCTION

NO.	BY	DATE	REVISION	APPR.	DATE

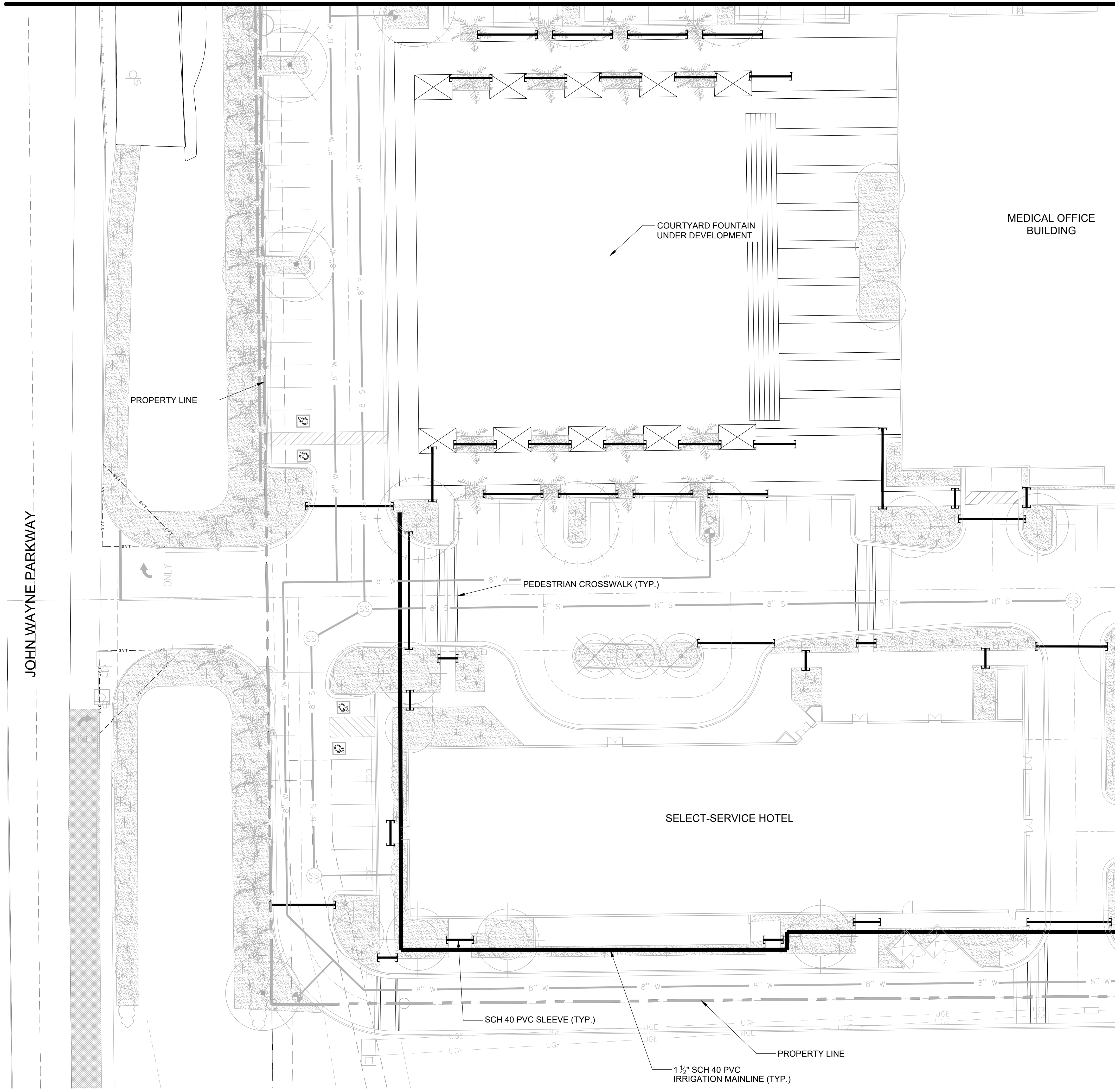
**DISTRICT 3 AT COPPER SKY**

**IRRIGATION PLAN**

DESIGNED:	DRAWN:	CHECKED:	DWG. NO.	SHEET NO.	TOTAL SHEETS
SW/JB	SW	JB	IR202	OF	
DATE: 8/2022	DATE: 8/2022	DATE: 8/2022			



MATCH LINE - SEE SHEET IR201



IRRIGATION LEGEND	
SYMBOL:	DESCRIPTION:
	1" WATER METER (SEE CIVIL PLANS)
	BACKFLOW PREVENTION DEVICE
	IRRIGATION CONTROLLER
	MASTER VALVE AND FLOW METER ASSEMBLY
	DRIP REMOTE CONTROL VALVE ASSEMBLIES
	ISOLATION BALL VALVE ASSEMBLY
	LATERAL FLUSH END CAP ASSEMBLY
NOT SHOWN	MULTI-PORT EMITTER ASSEMBLY
	X" MAINLINE PIPE
	DRIP LATERAL PIPE- TREES
	DRIP LATERAL PIPE- SHRUBS
	PS= PIPE SLEEVE WS= WIRE SLEEVE
	NEW WIRE PATH - SHOWN WHERE WIRE NOT ASSOCIATED WITH MAINLINE PIPE

VALVE KEY LEGEND	
VALVE KEY:	
	CONTROLLER LETTER/ STATION NUMBER
	GPM
	APPLICATION:
	TREE = TREES
	SHRUB = SHRUBS/ GROUNDCOVERS/ ACCENTS
	VALVE SIZE (INCHES)

- NOTES:
- SEE IRRIGATION SHEET IR102 FOR COMPLETE IRRIGATION EQUIPMENT INFORMATION.
  - IRRIGATION LATERALS AND MAINLINE ARE SCHEMATIC AND SHOULD BE IN LANDSCAPE AREA.

MATCH LINE - SEE SHEET IR204



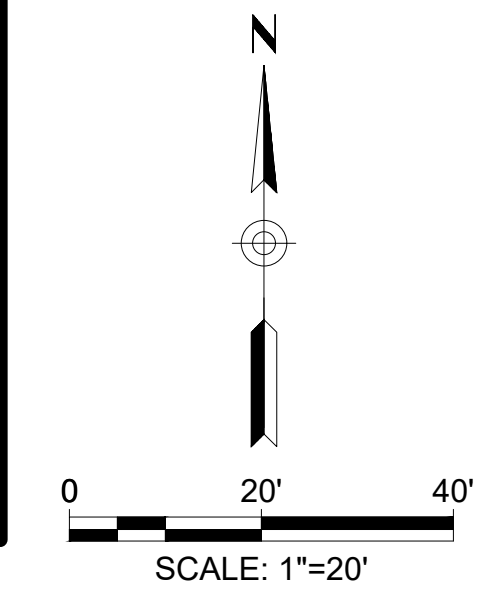
PRELIMINARY  
NOT FOR  
CONSTRUCTION

NO.	BY	DATE	REVISION	APPR.	DATE

DISTRICT 3 AT COPPER SKY

IRRIGATION PLAN

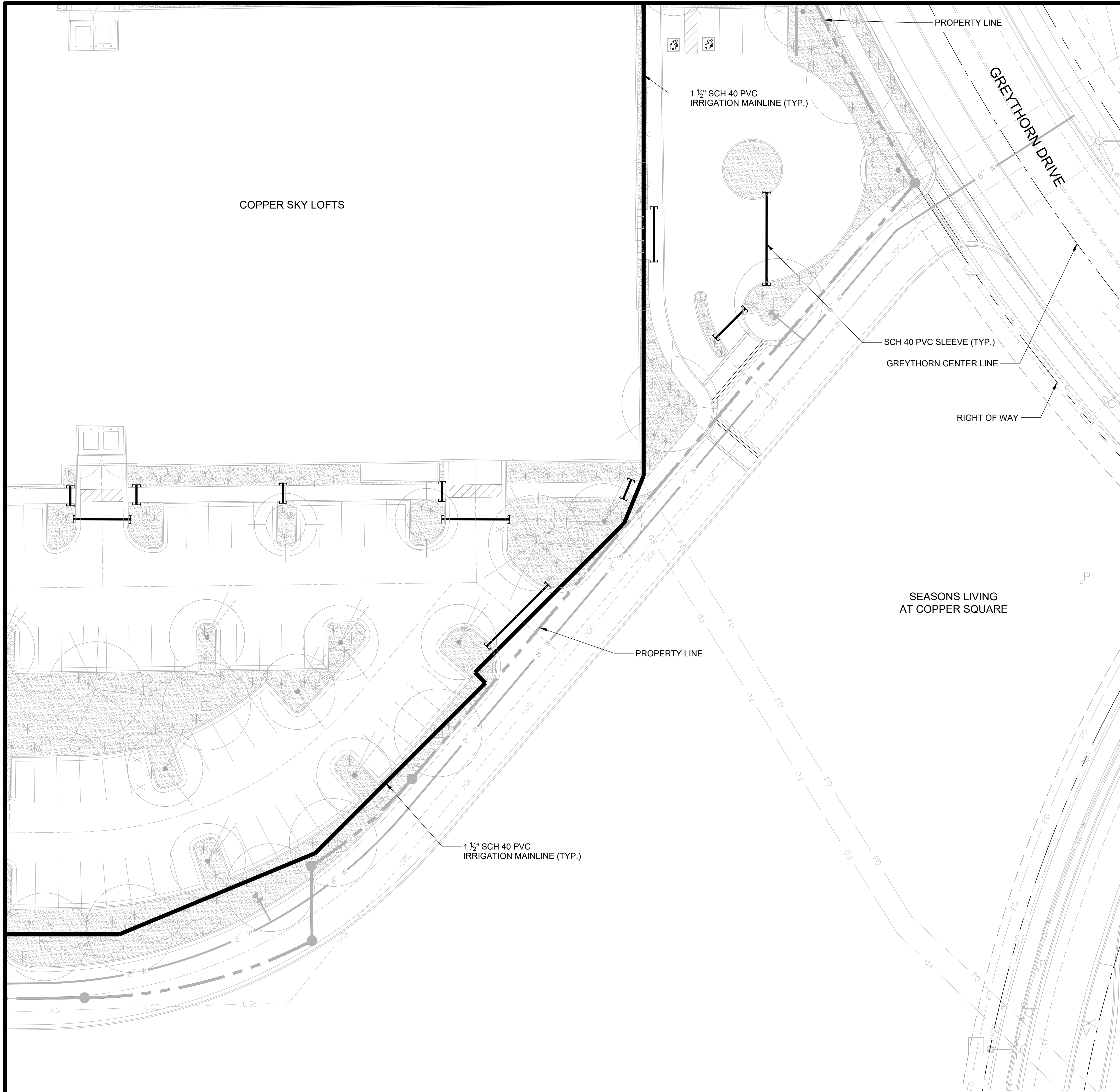
DESIGNED:	DRAWN:	CHECKED:	DWG. NO.	SHEET NO.	TOTAL SHEETS
SW/JB	SW	JB	IR203	OF	
DATE:	DATE:	DATE:			
8/2022	8/2022	8/2022			





MATCH LINE - SEE SHEET IR202

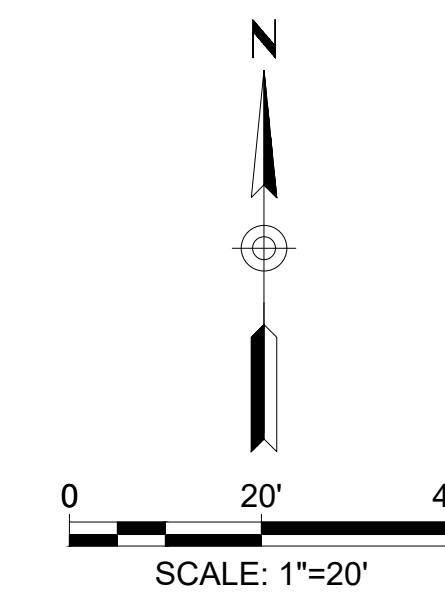
MATCH LINE - SEE SHEET IR203



IRRIGATION LEGEND	
SYMBOL:	DESCRIPTION:
	1" WATER METER (SEE CIVIL PLANS)
	BACKFLOW PREVENTION DEVICE
	IRRIGATION CONTROLLER
	MASTER VALVE AND FLOW METER ASSEMBLY
	DRIP REMOTE CONTROL VALVE ASSEMBLIES
	ISOLATION BALL VALVE ASSEMBLY
	LATERAL FLUSH END CAP ASSEMBLY
NOT SHOWN	MULTI-PORT EMITTER ASSEMBLY
X"	MAINLINE PIPE
- - -	DRIP LATERAL PIPE- TREES
- - -	DRIP LATERAL PIPE- SHRUBS
X"PS X"WS	PS= PIPE SLEEVE WS= WIRE SLEEVE
~~~~~	NEW WIRE PATH - SHOWN WHERE WIRE NOT ASSOCIATED WITH MAINLINE PIPE

VALVE KEY LEGEND	
VALVE KEY:	
	CONTROLLER LETTER/ STATION NUMBER
	GPM
	APPLICATION:
	TREE = TREES
	SHRUB = SHRUBS/ GROUNDCOVERS/ ACCENTS
	VALVE SIZE (INCHES)

- NOTES:
- SEE IRRIGATION SHEET IR102 FOR COMPLETE IRRIGATION EQUIPMENT INFORMATION.
  - IRRIGATION LATERALS AND MAINLINE ARE SCHEMATIC AND SHOULD BE IN LANDSCAPE AREA.



**CORGAN**

**Design**  
4649 E COTTON GIN LOOP B2 PHOENIX, AZ 85040 602.438.2221



PRELIMINARY  
NOT FOR  
CONSTRUCTION

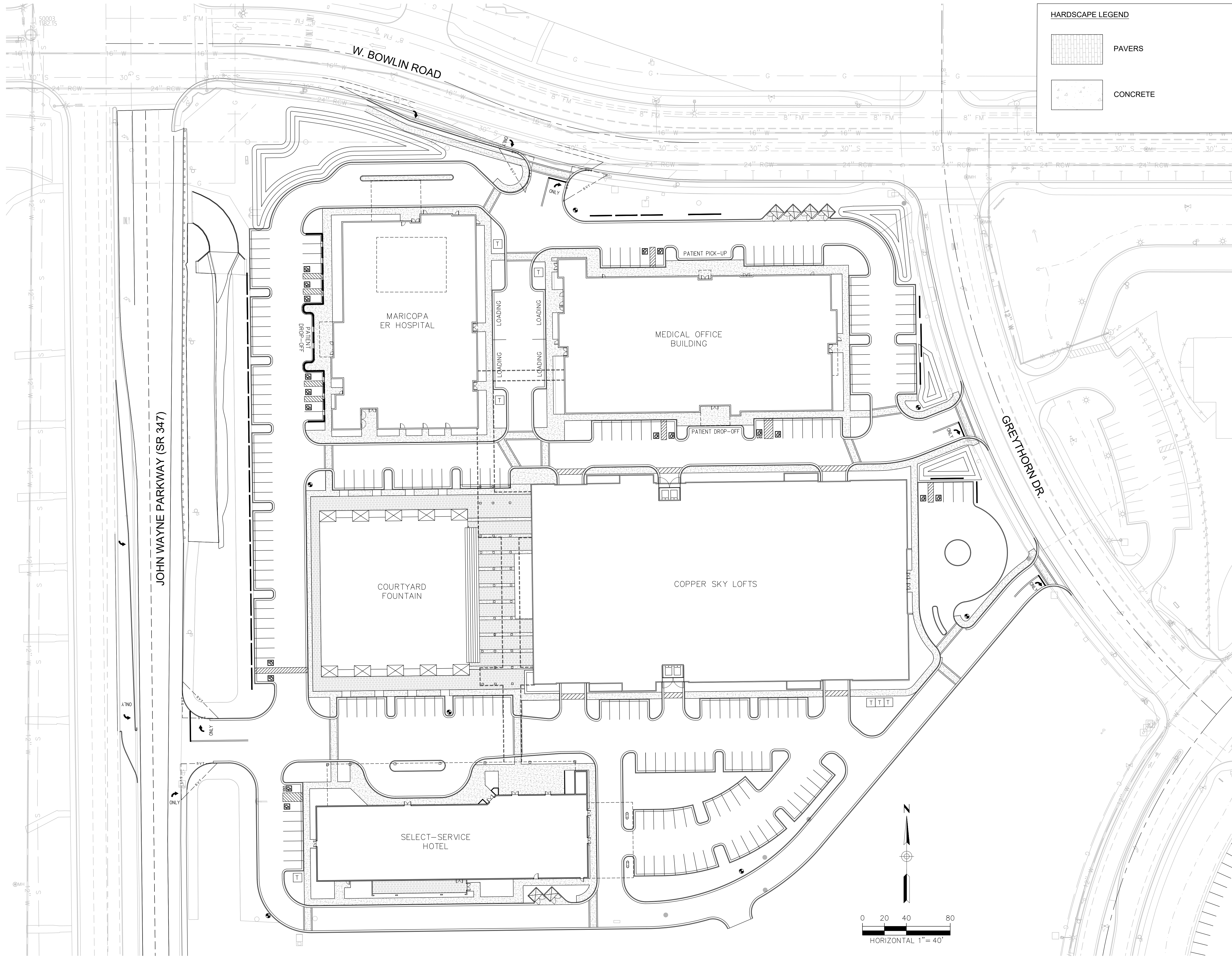
NO.	BY	DATE	REVISION	APPR.	DATE

DISTRICT 3 AT COPPER SKY

IRRIGATION PLAN

DESIGNED:	DRAWN:	CHECKED:	DWG. NO.	SHEET NO.	TOTAL SHEETS
SW/JB	SW	JB	IR204	OF	
DATE:	DATE:	DATE:			
8/2022	8/2022	8/2022			





**HARDSCAPE LEGEND**

	PAVERS
	CONCRETE



**CORGAN**



PRELIMINARY  
NOT FOR  
CONSTRUCTION

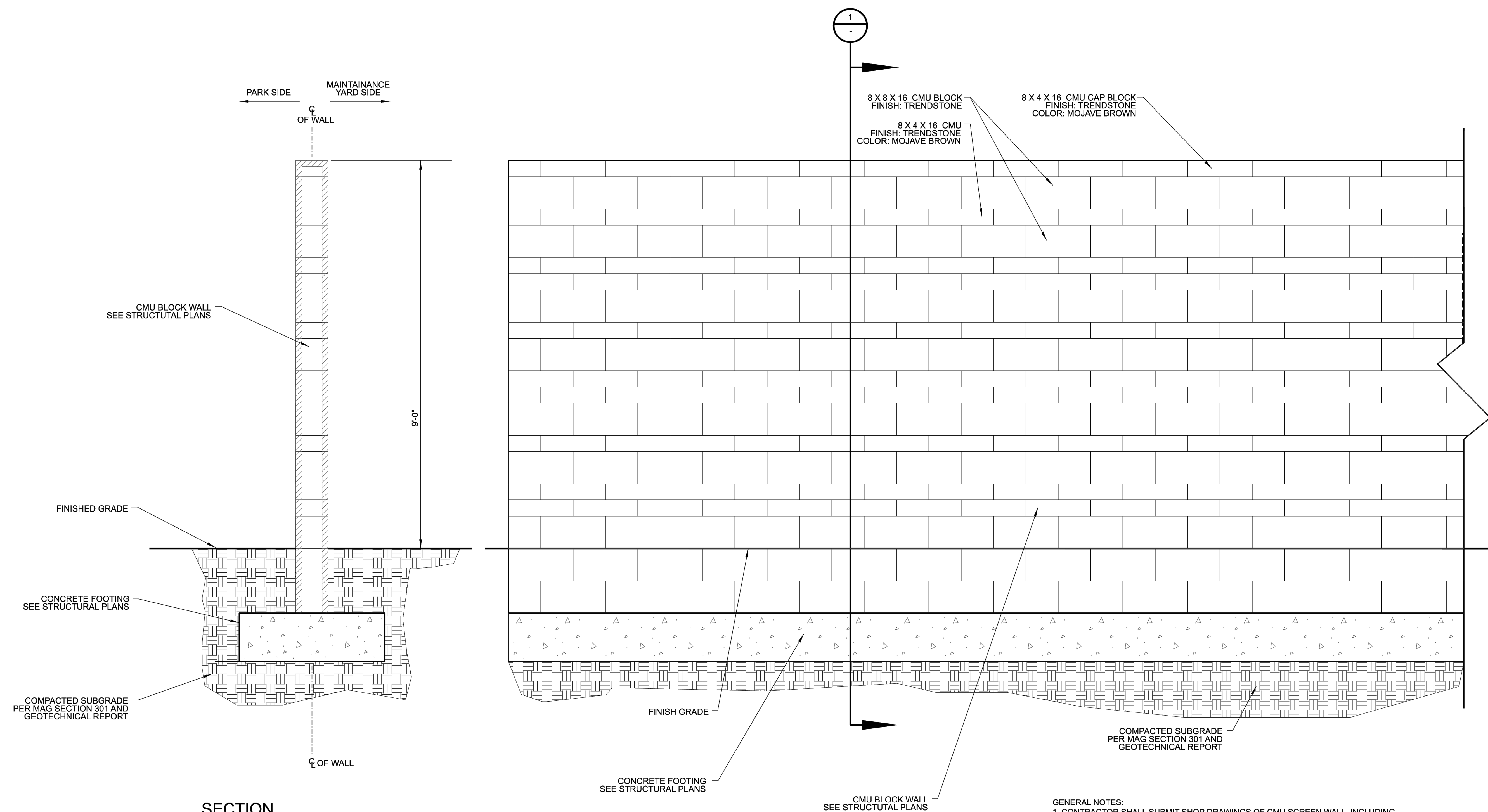
NO.	BY	DATE	REVISION	APPR.	DATE

DISTRICT 3 AT COPPER SKY

HARDSCAPE PLAN

DESIGNED:	DRAWN:	CHECKED:	DWG. NO.	SHEET NO.	TOTAL SHEETS
SW/JB	SW	JB	HS200		
DATE: 8/2022	DATE: 8/2022	DATE: 8/2022	HS200		





- GENERAL NOTES:
1. CONTRACTOR SHALL SUBMIT SHOP DRAWINGS OF CMU SCREEN WALL, INCLUDING BUT NOT LIMITED TO CMU BLOCK SAMPLES.
  2. ALL SUBGRADE SHALL BE COMPACTED PER THE RECOMMENDATIONS IN THE GEOTECHNICAL REPORT.
  3. MASONRY UNITS SHALL CONFORM TO ASTM C90M NORMAL WEIGHT, TYPE 1 WITH A MINIMUM COMPRESSIVE STRENGTH OF 1,500 PSI.
  4. THICKNESS OF BED JOINTS SHALL NOT EXCEED 5/8"
  5. GROUT SHALL CONFORM TO ASTM C476 WITH MINIMUM COMPRESSIVE STRENGTH OF 2000 PSI.
  6. ALL HORIZONYAL AND VERTICAL JOINTS SHALL BE TOOLED CONCAVE
  7. CONTRACTOR SHALL PROVIDE MOCK-UPS FOR REVIEW. SEE SPECIFICATIONS



PRELIMINARY  
 NOT FOR  
 CONSTRUCTION

NO.	BY	DATE	REVISION	APPR.	DATE

DISTRICT 3 AT COPPER SKY

HARDSCAPE DETAILS

DESIGNED:	DRAWN:	CHECKED:	DWG. NO.	SHEET NO.	TOTAL SHEETS
SW/JB	SW	JB	HS200		
DATE:	DATE:	DATE:	HS301		
8/2022	8/2022	8/2022			

**1** CMU SCREEN WALL - SECTION  
 MAINTENANCE YARD WALL  
 PUMP STATION WALL  
 TRASH ENCLOSURE WALL  
 N.T.S.

**2** CMU SCREEN WALL - ELEVATION  
 MAINTENANCE YARD WALL  
 PUMP STATION WALL  
 TRASH ENCLOSURE WALL  
 N.T.S.