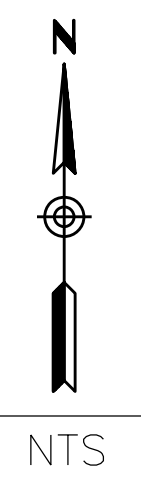
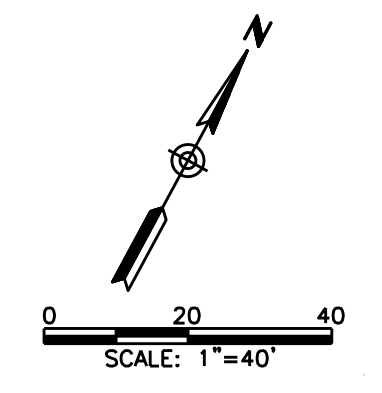


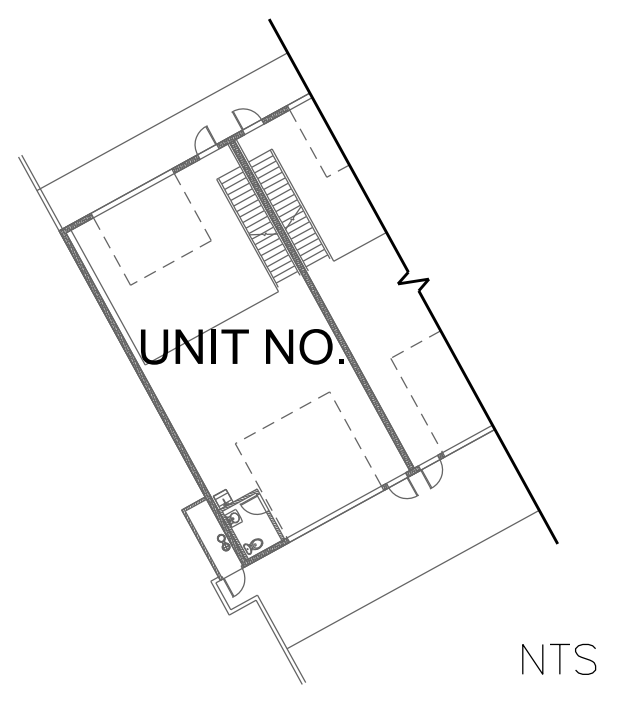
**VICINITY MAP**



NTS



**LEGEND:**



GARAGE CONDO UNIT LAYOUT (TYP)

**ABBREVIATIONS:**

BLDG = BUILDING  
NTS = NOT TO SCALE  
TEMP = TEMPORARY



NO.	DESCRIPTION	REV BY	CHK BY	DATE

**POINT ENGINEERS**

ADDRESS PLAN  
GARAGE CONDOS II

APEX MOTOR CLUB  
NEC WARREN ROAD & STATE ROUTE 238  
CITY OF MARICOPA, ARIZONA

DESIGNED: BAF | DRAWN: IP | CHECKED: ALC

THESE PLANS ARE NOT APPROVED FOR CONSTRUCTION WITHOUT AN APPROVED SIGNATURE FROM THE GOVERNING MUNICIPALITY.

DATE
PROJECT NO. 19120 - APEX
DWG NUMBER
SHEET NUMBER OF