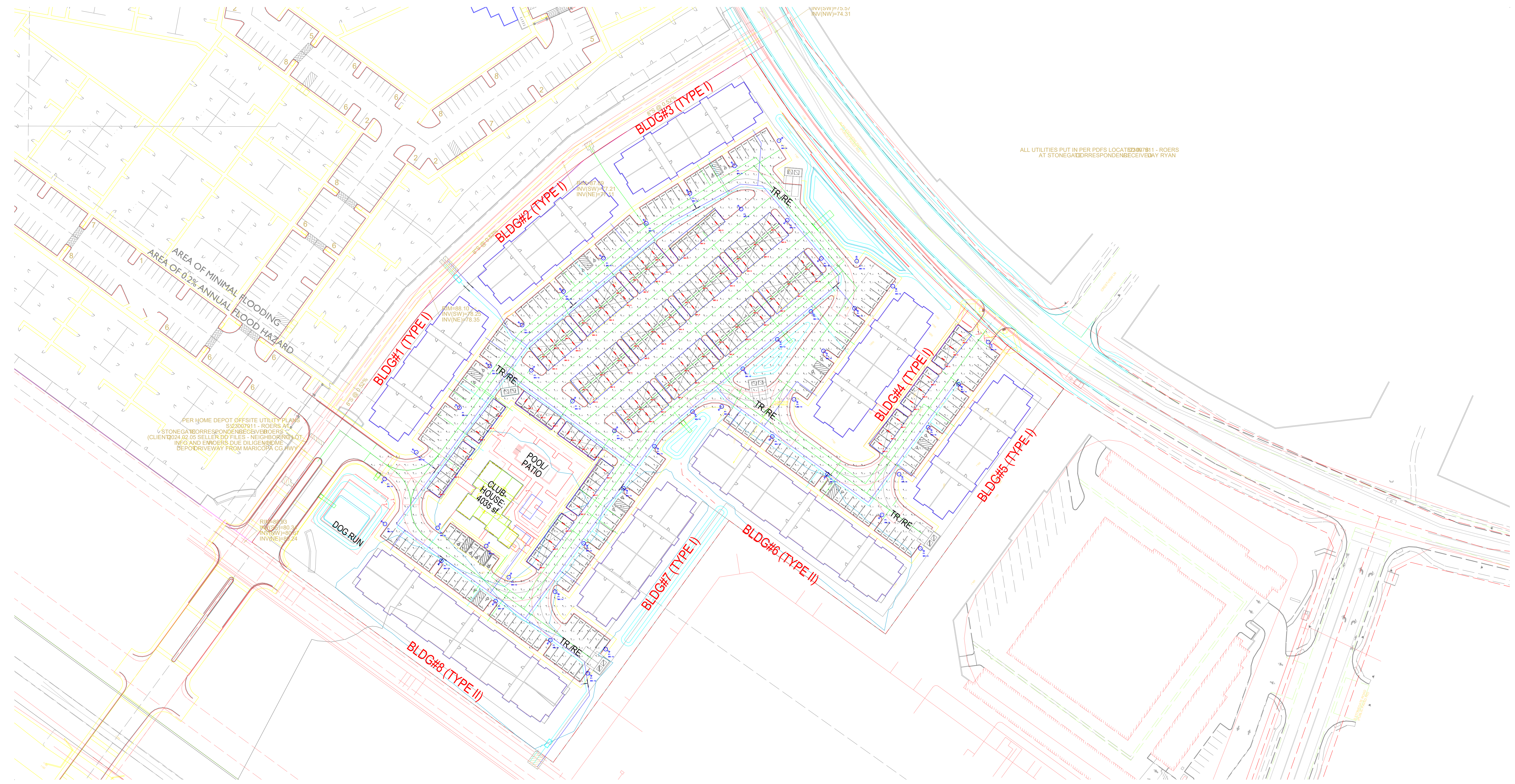


Luminaire Schedule							
Symbol	Qty	Type	Mounting Height	Lum. Watts	Luminaire Lumens	LLF	Description
	48	P1	14	52	5618	0.900	ORX-2-DPT-T5-16L-1050-40K7
	96	V	9	20.0171	2733	0.900	2-OWVS1-LED-2000L-2500L-3000L-DIM10-MVOLT-35K-40K-50K-85(2500L)

Calculation Summary						
Label	Units	Avg	Max	Min	Avg/Min	Max/Min
Overall Site	Fc	2.18	11.7	0.4	5.45	29.25



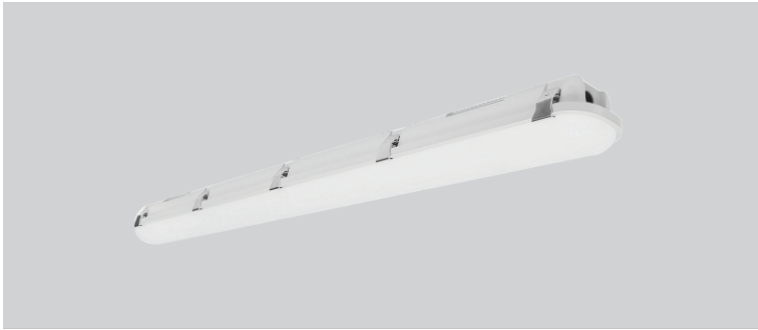
DISCLAIMER: Based on the information provided, all dimensions and luminaire locations shown represent recommended positions. Actual performance of any manufacturer's luminaires may vary due to changes in electrical voltage, tolerance in LEDs and other variable field conditions. Calculations do not include obstructions such as buildings, curbs, landscaping or any other architectural elements unless noted.

Fixture nomenclature to be finalized by engineer and/or architect. This drawings is for photometric evaluation purposes only and should not be used as a construction document or as a final document for ordering product.



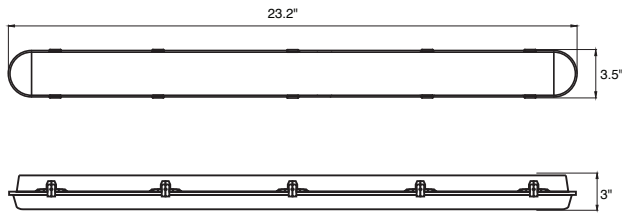
Designed By: K. Tomczak
 Checked By: Rick Roelofs
 Date: 7/2/2024
 Scale: 1" = 60'

Maricopa, AZ



**MULTI-LUMEN
SELECTOR**

**EASY 3 COLORS
SELECTOR**
3500K • 4000K • 5000K



NOMINAL LUMENS	DELIVERED LUMENS	WATTAGE
2000L	2310	17W
2500L	2530	20W
3000L	2970	25W

Based on 4000K, 85+ CRI. Actual wattage may vary +/- 5%

FEATURES

The OWVS LED Vapor Tight is a wet location luminaire designed to withstand exposure to harsh weather and areas where water might be a hazard. Qualifies as emergency lighting, which lights a safe path of egress for evacuation. Shallow, lightweight design permits quick, easy installation. A wide beam spread and excellent glare control make it perfect for a number of egress lighting applications. Complies with building and safety codes to safely light parking garages, schools, car washes, corridors, hallways, stairways, food processing, cold storage, and other industrial facilities.

LUMENS	2000L/2500L/3000L
CCT	35K/40K/50K
CRI	85+
COLOR QUALITY	3 Step MacAdam Ellipse
LENGTH	2'
MOUNTING	Surface
DIMMING & CONTROL	0-10V Flicker Free 10% Dimming Standard (DIM10)
LIFETIME	L70 at 100,000 Hours
PHOTOMETRIC TESTS	In Accordance with IES LM79-08, LM80 and TM-30, TM-21



MAINTENANCE

Two-piece, snap-together design for fast, easy installation. Simple two-piece design consists of housing and optical assembly to streamline installation process.

OPTICS

Polycarbonate lens.

MOUNTING

Suitable for suspension by V-hook or surface mounting. All required hardware is included (less chain, cable).

CONSTRUCTION

One-piece, durable fiberglass housing. Continuous one-piece gasket provides airtight seal, keeping out condensation, humidity, dirt, and dust. Stainless steel latches securely attach to the housing, keeping the housing and lens securely in place.

DRIVER ELECTRICAL INFORMATION

Powered by high-quality constant-current power LED drivers rated for 50 to 60Hz at 120/277V input. Available in 347V, produce less than 20% THD, and have a power factor of .90 to 1.00.

DIMMING & DRIVER INFORMATION

DIM10 - Flicker Free 10% Dimming Standard (DIM10) 0-10V dimming on either MVOLT 120, 277 or 347V.

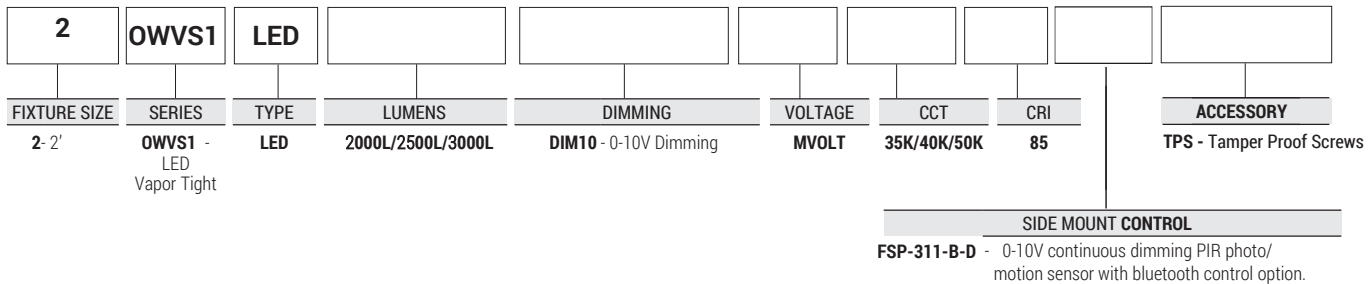
WARRANTY

Five-year warranty for parts and components. (Labor not included).

LISTINGS

UL/C-UL listed to US and Canadian standard
IP65 Rated
ANSI/UL 8750
ANSI/UL 1598
DLC listed

Example: **2-OWVS1-LED-2000L/2500L/3000L-DIM10-MVOLT-35K/40K/50K-85**



-OWVS1-LED-2000L-2500L-3000L-DIM10-MVOLT-35K-40K-50K-85(2000L)

TEST NO.: EL07272261

INPUT WATTS: 24.6 LUMENS: 3294 EFFICACY: 134 CRI: 80+ CCT: 5000K BEAM ANGLE: 118 SPACING CRITERIA: 1.21 x 1.21

Table with 5 main sections: CANDELA DISTRIBUTION, CANDELA TABLE, LUMINANCE (cd/sq.m), LUMENS PER ZONE, and ZONAL LUMEN SUMMARY. Includes a beam spread diagram and various data tables for light distribution and performance metrics.

CONE OF LIGHT

Table showing mounting height, FC at beam center, and beam diameters for 0°-180° and 90°-270°.

INDOOR COEFFICIENTS OF UTILIZATION

Table of indoor coefficients of utilization with columns for power factor (pf), power (pw), and various utilization percentages (70%, 80%, 20%, 50%, 30%, 10%, 0%).

2-OWVS1-LED-2000L-2500L-3000L-DIM10-MVOLT-35K-40K-50K-85(2500L)

TEST NO.: EL07272261

INPUT WATTS: 20.0 LUMENS: 2733 EFFICACY: 137 CRI: 80+ CCT: 4000K BEAM ANGLE: 117 SPACING CRITERIA: 1.21

Table with 5 main sections: CANDELA DISTRIBUTION, CANDELA TABLE, LUMINANCE (cd/sq.m), LUMENS PER ZONE, and ZONAL LUMEN SUMMARY. Includes a beam spread diagram and various data tables for light distribution and performance metrics.

CONE OF LIGHT

Table showing mounting height, FC at beam center, and beam diameters for 0°-180° and 90°-270°.

INDOOR COEFFICIENTS OF UTILIZATION

Table of indoor coefficients of utilization with columns for power factor (pf), power (pw), and various utilization percentages (70%, 80%, 20%, 50%, 30%, 10%, 0%).

2-OWVS1-LED-2000L-2500L-3000L-DIM10-MVOLT-35K-40K-50K-85(3000L)

TEST NO.: EL07272261

INPUT WATTS: 15.8 LUMENS: 2175 EFFICACY: 138 CRI: 80+ CCT: 3500K BEAM ANGLE: 117 SPACING CRITERIA: 1.21

Table with 5 main sections: CANDELA DISTRIBUTION, CANDELA TABLE, LUMINANCE (cd/sq.m), LUMENS PER ZONE, and ZONAL LUMEN SUMMARY. Includes a beam spread diagram and various data tables for light distribution and performance metrics.

CONE OF LIGHT

Table showing mounting height, FC at beam center, and beam diameters for 0°-180° and 90°-270°.

INDOOR COEFFICIENTS OF UTILIZATION

Table of indoor coefficients of utilization with columns for power factor (pf), power (pw), and various utilization percentages (70%, 80%, 20%, 50%, 30%, 10%, 0%).

INTEGRATED SENSOR AND CONTROL OPTIONS

With the integration of controls, Elite Lighting now offers its products with controls-ready performance that increases energy efficiency, smarter space planning, and the enhancement of safety and productivity in the workplace. By utilizing these controls, Elite Lighting luminaires enable your customer's facility to run smarter, with the use of an easily controlled system through any platform.

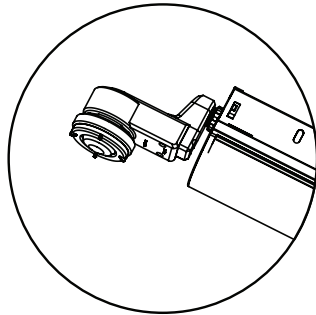
Luminaire will be shipped with Powerpacks pre-installed, ready to be integrated to designated control systems

Luminaire will be shipped with Sensors installed on the luminaire, allowing for individual luminaire control. Luminaires will be ready to be integrated with designated control systems

Luminaire will be shipped with Sensors to be remotely installed on the ceiling. Luminaires will be ready to be integrated with designated control systems

BRAND	
PIR INTEGRATED SENSOR	<input type="checkbox"/> FSP-311-B-D 0-10V continuous dimming PIR photo/motion sensor with bluetooth control option.

SIDE MOUNT



LEGRAND

FSP-311-B-D
 0-10V continuous dimming PIR photo/motion sensor with bluetooth control option.



LED WATTAGE CHART

Drive Current	16L	32L	64L	64L VCS
350 milliamps	-	34W (2850-3782 Lumens)	68W (5700 - 7565 Lumens)	68W (4380-5643 Lumens)
400 milliamps	18W (1546-1873 Lumens)	-	-	-
530 milliamps	26W (2341-2836 Lumens)	52W (4316-5727 Lumens)	103W (8632-11455 Lumens)	103W (7315-8545 Lumens)
700 milliamps	34W (3092-3745 Lumens)	68W (5701-7564 Lumens)	137W (11401-15129 Lumens)	137W (9661-11286 Lumens)
1000 milliamps	-	-	200W (16287-21400 Lumens)	200W (13801-16123 Lumens)
1050 milliamps	51W (4638-5618 Lumens)	102W (8551-11347 Lumens)	-	-
1250 milliamps	-	125W (10340-13375 Lumens)	-	-
1400 milliamps	-	140W (11581-14980 Lumens)	-	-

FORM

- Elegant Die-Cast Aluminum Housing
- Corrosion Resistant Stainless Steel External Hardware
- Sleek, Low Profile Housing
- Spec Grade Performance
- Engineered For Optimum Thermal Management
- 9 Architectural Finishes Standard, RAL Colors Available

FUNCTION

- Micro Optics IES Distributions T2, T3, T4, T5
- 0-10V Dimming Drivers
THD @ Max Load < 15%
Power factor @ Max Load < 0.95
- Amber, 2700K, 3000K, 3500K, 4000K, or 5000K
- 16L, 32L, or 64L LED Configuration
- CRI 70, 80, or 90
- 5 MILS Powder Coat
- Up to 21,400 Lumens

RELIABILITY

- Silicone Micro Optics
- 5 Year Standard Warranty
- IP67 Optics
- IP66 Fixture

BUY AMERICAN

To ensure the latest BAA/TAA/BABA Standards are being met, please select BAA, TAA, or BABA in the options section. Please contact the factory before placing an order for any NLS products requesting BAA (Buy American Act), TAA (Trade Agreement Act), or BABA (Build America, Buy America).



Project Name:

Type:

ORGANIX - 2 - POST TOP ORDERING GUIDE

Cat#	Light Dist.	No. of LEDs	Milliamps	Kelvin Temp	Volts
Organix - 2 Post Top (ORX-2)	Type 2 (T2)	16 (16L)	350 (35)	Amber 585-600nm (AMBER) ①②③	120-277 (UNV)
	Type 3 (T3)	32 (32L)	400 (40) ④	2700K, 70 CRI (27K7)	347-480 (HV)
	Type 4 (T4)	64 (64L)	530 (53)	2700K, 80 CRI (27K8) ⑤	
	Type 5 (T5)		700 (7)	3000K, 70 CRI (30K7)	
	Back Lit with Lens		1000 (1A)	3000K, 80 CRI (30K8) ⑥	
	Visual Comfort Symmetric (VCS) ⑦⑧		1050 (1) ⑨	3500K, 80 CRI (35K8)	
	Visual Comfort Assymmetric (VCA) ⑦⑧		1250 (12)	4000K, 70 CRI (40K7)	
			1400 (14)	4000K, 80 CRI (40K8) ⑩	
				5000K, 70 CRI (50K7)	
				5000K, 80 CRI (50K8) ⑪	

Mounting	Color	Control Options	Options	Lens Options
Single Arm Post Top Slips Over 2-3/8" OD Tenon (SPT238)	Bronze Textured (BRZ)	Nema 7-Pin Receptacle (PE7)	Marine Grade Finish (MGF)	Diffused Polycarbonate Visual Comfort Lens (DPCL) ⑫
Single Arm Post Top Slips Over 3" OD to 3.5" OD Pole or Tenon (SPT312)	White Textured (WHT)	Nema 7-Pin Receptacle +Shorting Cap (PER)	House Side Shield (HSS) ⑬	Clear Tempered Glass Lens (CTG) ⑬
Single Arm Post Top Wall Mount (SPTWM)	Smooth White Gloss (SWT)	Photocell+Receptacle (PCR)	Automotive House Side Shield (AHS) ⑭	
Double Arm Post Top Slips Over 2-3/8" OD Tenon (DPT238)	Silver Metallic (SVR)	FSP-211 with Motion Sensor (FSP-8) ⑮⑯	Bird Spikes (BS)	
Double Arm Post Top Slips Over 3" OD to 3.5" OD Pole or Tenon (DPT312)	Black Textured (BLK)	8' and Below Heights (FSP-20) ⑮⑯	Tamper Proof Hardware (TPH)	
Double Arm Post Top Slips Over 2-3/8" OD Tenon (DPT238)	Smooth Black Gloss (SBK)	9'-20' Heights (FSP-40) ⑮⑯	Black Hardware (BH)	
Double Arm Post Top Slips Over 3" OD to 3.5" OD Pole or Tenon (DPT312)	Graphite Textured (GPH)	21'-40' Heights	Black Optic Frame (BOF)	
Double Arm Post Top Wall Mount (DPTWM)	Grey Textured (GRY)	Custom Controls Integration (CCI) ⑰	Buy American Act (BAA) ⑱	
Double Arm Post Top Wall Mount (DPTWM)	Green Textured (GRN)	FSIR-100 Commissioning Remote (FSIR) ⑲	Trade Agreement Act (TAA) ⑲	
Double Arm Post Top Wall Mount (DPTWM)	Hunter Green Textured (HGN)		Build America Buy American (BABA) ⑳	
	Custom (CS)			

Notes:

- ① Consult Factory For Lead Time. Consult Factory For 90 CRI Requests
- ② Universal Voltage 120-277
- ③ Please contact Factory for Custom Control Integration requests (nLight, NX, WaveLinX, Crestron, DMX/RDM, Synapse, Casambi, Dali II, Avi-On, or other control systems)
- ④ Turtle Safe
- ⑤ Consult factory for all BAA/TAA/BABA requests
- ⑥ Not Available in 64L
- ⑦ Consult Factory
- ⑧ Back Lit With Diffused Lens 64L Only
- ⑨ Not Available With Lens Options (VCA, VCS, DPCL, CTG)
- ⑩ DPCL & CTG lenses are for use with Type 2, Type 3, Type 4, & Type 5
VCA & VCS comes with a diffused lens
- ⑪ 16L Only
- ⑫ Projects with sensors require Qty. 1 FSIR per project
- ⑬ Not Available above 1000mA
- ⑭ Consult Factory for Lead Time



701 Kingshill Place, Carson, CA 90746
Call Us Today (310) 341-2037

nslighting.com

PRODUCT SPECIFICATIONS

ELECTRICAL

- 120-277 Volts (UNV) or 347-480 Volts (HV)
- 0-10V dimming driver
- Driver power factor at maximum load is $\geq .95$, THD maximum load is 15%
- LED Drivers Ambient Temp. Min is -40°C and Ambient Temp. Max ranges from 50°C to 55°C and, in some cases, even higher. Consult the factory for revalidation by providing the fixture catalog string before quoting and specifying it.
- All drivers, controls, and sensors housed in enclosed IP65 compartment
- CRI 70, 80 or 90
- Color temperatures: Amber, 2700K, 3000K, 3500K, 4000K, 5000K
- Surge Protection: 20KVA supplied as standard.

CONSTRUCTION

- Die Cast Aluminum
- Internal cooling fins
- Corrosion resistant external hardware
- One-piece silicone gasket ensures IP66 seal for electronics compartment

OPTICS

Silicone optics high thermal stability and light output provide higher powered LEDs with minimized lumen depreciation. UV stability with scratch resistance increases exterior application durability. Silicone optics do not yellow, crack or brittle over time

CONTROL OPTIONS

CONTROL OPTIONS & FEATURES

- FSP-221 (FSP-X) - Passive infrared (PIR) sensor providing multi-level control based on motion/daylight contribution.
- All control parameters adjustable via wireless configuration remote storing and transmitting sensor profiles.
- * Party Setting Available (10% output) Consult Factory
- * Can maintain constant foot candles over time. Consult Factory
- FSP-20 mounting heights 9-20 feet
- FSP-40 mounting heights 21-40 feet.
- Includes 5 dimming event cycles, 0-10V dimming with motion sensing, re-programmable in the field. Programmable remote must be purchased separately.
- FSIR-100 is required to change sensor settings. Please contact factory for ordering.

- Controls Agnostics: Please contact factory for your preferred controls option.

- NEMA 7-PIN RECEPTACLE (PE7) - An ANSI C136.41-2013 receptacle provides electrical and mechanical interconnection between photo control cell and luminaire. Dimming receptacle available two or four dimming contacts supports 0-10 VDC dimming methods or Digital Addressable Lighting Interface (DALI), providing reliable power interconnect.

- RECEPTACLE + SHORTING CAP (PER) - 7-Pin Receptacle and Shorting Cap.

- PHOTOCELL + RECEPTACLE (PCR) - 7-Pin Receptacle and Photocell.

- Controls Agnostic: Please contact factory for your preferred controls option. (nLight, NX, WaveLinx, Crestron, DMX/RDM, Synapse, Casambi, DALI II, Avi-On, or other control systems)

OPTIONS

- BIRD SPIKES (BS) - Offer an effective and humane deterrent for larger bird species and provide a cost-effective long-term solution to nuisance bird infestations and to protect your property.

- MARINE GRADE FINISH (MGF) - A multi-step process creating a protective finishing coat against harsh environments. Chemically washed in a 5-stage cleaning system. Pre-baked, Powder coated 3-5 mils of Zinc Rich Super Durable Polyester Primer. Oven Baked. Finished Powder Coating of Super Durable Polyester Powder Coat 3-5 mil thickness.

- House Side Shield (HSS) is designed for full property line cutoff

- Automotive House Side Shield (AHS)

- Tamper Proof Hardware (TPH)

- Black Hardware (BH)

- Black Optic Frame (BOF)

- Single and Double Fusing

FINISH

- 3-5 mils electrostatic powder coat.
- NLS Lighting standard high-quality finishes prevent corrosion, and protects against extreme environmental conditions.

WARRANTY

Five-year limited warranty for drivers and LEDs. Consult Factory for 7 or 10 year warranty

LISTINGS

- Certified to UL 1598
- UL 8750
- CSA C22.2 No. 250.0
- IP66 Rated Fixture
- IP67 Rated Optics
- IK10 Rated

BUY AMERICAN OPTION

While all of the NLS Lighting products listed in this document qualify for the Buy America(n) Act of 1933, we reserve the right to change our listings without notice.

The information provided above is for general informational purposes only. We encourage you to consult legal professionals for advice particular to your projects concerning BAA, TAA, BABA or Buy America.

Additional NLS Products that meet BAA, TAA standards can be found at the following link:

<https://nlsighting.com/buy-american/>



The information and specifications on this document are subject to change without any notification. All values are design, nominal, typical or prorated values when measured under internal and external laboratory conditions.



701 Kingshill Place, Carson, CA 90746
Call Us Today (310) 341-2037

nlsighting.com

PRODUCT SPECIFICATIONS

SINGLE ARM POST TOP LUMENS

Part Number	LUMEN CHART												WATTAGE
	T4	LM/W	BUG	T3	LM/W	BUG	T2	LM/W	BUG	T5	LM/W	BUG	
ORX-2-SPT-16L-400-27K7	1808	86	B1-U2-G1	1820	87	B1-U2-G1	1821	87	B0-U2-G1	1817	87	B1-U2-G1	21
ORX-2-SPT-16L-400-27K8	1693	81	B1-U1-G1	1704	81	B1-U2-G1	1705	81	B0-U1-G1	1701	81	B1-U2-G1	21
ORX-2-SPT-16L-400-30K8	1815	86	B1-U2-G1	1827	87	B1-U2-G1	1828	87	B0-U2-G1	1824	87	B1-U2-G1	21
ORX-2-SPT-16L-400-30K7	1955	93	B1-U2-G1	1968	94	B1-U2-G1	1969	94	B1-U2-G1	1964	94	B1-U2-G1	21
ORX-2-SPT-16L-400-35K8	1815	86	B1-U2-G1	1827	87	B1-U2-G1	1828	87	B0-U2-G1	1824	87	B1-U2-G1	21
ORX-2-SPT-16L-400-40K8	1955	93	B1-U2-G1	1968	94	B1-U2-G1	1969	94	B1-U2-G1	1964	94	B1-U2-G1	21
ORX-2-SPT-16L-400-40K7	2112	101	B1-U2-G1	2126	101	B1-U2-G1	2127	101	B1-U2-G1	2123	101	B1-U2-G1	21
ORX-2-SPT-16L-400-50K8	1955	93	B1-U2-G1	1968	94	B1-U2-G1	1969	94	B1-U2-G1	1964	94	B1-U2-G1	21
ORX-2-SPT-16L-400-50K7	2112	101	B1-U2-G1	2126	101	B1-U2-G1	2127	101	B1-U2-G1	2123	101	B1-U2-G1	21
ORX-2-SPT-16L-530-27K7	2396	92	B1-U2-G1	2412	93	B1-U2-G1	2413	93	B1-U2-G1	2407	93	B2-U2-G2	26
ORX-2-SPT-16L-530-27K8	2243	86	B1-U2-G1	2258	87	B1-U2-G1	2259	87	B1-U2-G1	2254	87	B2-U2-G2	26
ORX-2-SPT-16L-530-30K8	2405	93	B1-U2-G1	2421	93	B1-U2-G1	2422	93	B1-U2-G1	2417	93	B2-U2-G2	26
ORX-2-SPT-16L-530-30K7	2590	100	B1-U2-G1	2607	100	B1-U2-G1	2609	100	B1-U2-G1	2603	100	B2-U2-G2	26
ORX-2-SPT-16L-530-35K8	2405	93	B1-U2-G1	2421	93	B1-U2-G1	2422	93	B1-U2-G1	2417	93	B2-U2-G2	26
ORX-2-SPT-16L-530-40K8	2590	100	B1-U2-G1	2607	100	B1-U2-G1	2609	100	B1-U2-G1	2603	100	B2-U2-G2	26
ORX-2-SPT-16L-530-40K7	2799	108	B1-U2-G1	2817	108	B1-U2-G1	2819	108	B1-U2-G1	2812	108	B2-U2-G2	26
ORX-2-SPT-16L-530-50K8	2590	100	B1-U2-G1	2607	100	B1-U2-G1	2609	100	B1-U2-G1	2603	100	B2-U2-G2	26
ORX-2-SPT-16L-530-50K7	2799	108	B1-U2-G1	2817	108	B1-U2-G1	2819	108	B1-U2-G1	2812	108	B2-U2-G2	26
ORX-2-SPT-16L-700-27K7	3164	93	B1-U2-G1	3185	94	B1-U2-G1	3187	94	B1-U2-G1	3180	94	B2-U2-G2	34
ORX-2-SPT-16L-700-27K8	2963	87	B1-U2-G1	2982	88	B1-U2-G1	2984	88	B1-U2-G1	2977	88	B2-U2-G2	34
ORX-2-SPT-16L-700-30K8	3177	93	B1-U2-G1	3197	94	B1-U2-G1	3199	94	B1-U2-G1	3192	94	B2-U2-G2	34
ORX-2-SPT-16L-700-30K7	3421	101	B1-U2-G1	3444	101	B1-U2-G1	3446	101	B1-U2-G1	3438	101	B2-U2-G2	34
ORX-2-SPT-16L-700-35K8	3177	93	B1-U2-G1	3197	94	B1-U2-G1	3199	94	B1-U2-G1	3192	94	B2-U2-G2	34
ORX-2-SPT-16L-700-40K8	3421	101	B1-U2-G1	3444	101	B1-U2-G1	3446	101	B1-U2-G1	3438	101	B2-U2-G2	34
ORX-2-SPT-16L-700-40K7	3697	109	B1-U2-G1	3721	109	B1-U2-G1	3723	109	B1-U2-G1	3714	109	B2-U2-G2	34
ORX-2-SPT-16L-700-50K8	3421	101	B1-U2-G1	3444	101	B1-U2-G1	3446	101	B1-U2-G1	3438	101	B2-U2-G2	34
ORX-2-SPT-16L-700-50K7	3697	109	B1-U2-G1	3721	109	B1-U2-G1	3723	109	B1-U2-G1	3714	109	B2-U2-G2	34
ORX-2-SPT-16L-1050-27K7	4746	93	B1-U2-G1	4778	94	B1-U2-G1	4780	94	B1-U2-G1	4769	94	B3-U2-G3	51
ORX-2-SPT-16L-1050-27K8	4444	87	B1-U2-G1	4473	88	B1-U2-G1	4476	88	B1-U2-G1	4466	88	B3-U2-G3	51
ORX-2-SPT-16L-1050-30K8	4765	93	B1-U2-G1	4796	94	B1-U2-G1	4799	94	B1-U2-G1	4788	94	B3-U2-G3	51
ORX-2-SPT-16L-1050-30K7	5132	101	B1-U2-G1	5166	101	B1-U2-G1	5168	101	B1-U2-G1	5157	101	B3-U2-G3	51
ORX-2-SPT-16L-1050-35K8	4765	93	B1-U2-G1	4796	94	B1-U2-G1	4799	94	B1-U2-G1	4788	94	B3-U2-G3	51
ORX-2-SPT-16L-1050-40K8	5132	101	B1-U2-G1	5166	101	B1-U2-G1	5168	101	B1-U2-G1	5157	101	B3-U2-G3	51
ORX-2-SPT-16L-1050-40K7	5545	109	B1-U2-G2	5581	109	B1-U2-G1	5584	109	B1-U2-G1	5572	109	B3-U2-G3	51
ORX-2-SPT-16L-1050-50K8	5132	101	B1-U2-G1	5166	101	B1-U2-G1	5168	101	B1-U2-G1	5157	101	B3-U2-G3	51
ORX-2-SPT-16L-1050-50K7	5545	109	B1-U2-G2	5581	109	B1-U2-G1	5584	109	B1-U2-G1	5572	109	B3-U2-G3	51



701 Kingshill Place, Carson, CA 90746
 Call Us Today (310) 341-2037

nlsighting.com

PRODUCT SPECIFICATIONS

SINGLE ARM POST TOP LUMENS

LUMEN CHART													
Part Number	T4	LM/W	BUG	T3	LM/W	BUG	T2	LM/W	BUG	T5	LM/W	BUG	WATTAGE
ORX-2-SPT-32L-350-27K7	3164	93	B1-U2-G1	3185	94	B1-U2-G1	3187	94	B1-U2-G1	3180	94	B2-U2-G2	34
ORX-2-SPT-32L-350-27K8	2963	87	B1-U2-G1	2982	88	B1-U2-G1	2984	88	B1-U2-G1	2977	88	B2-U2-G2	34
ORX-2-SPT-32L-350-30K8	3177	93	B1-U2-G1	3197	94	B1-U2-G1	3199	94	B1-U2-G1	3192	94	B2-U2-G2	34
ORX-2-SPT-32L-350-30K7	3421	101	B1-U2-G1	3444	101	B1-U2-G1	3446	101	B1-U2-G1	3438	101	B2-U2-G2	34
ORX-2-SPT-32L-350-35K8	3177	93	B1-U2-G1	3197	94	B1-U2-G1	3199	94	B1-U2-G1	3192	94	B2-U2-G2	34
ORX-2-SPT-32L-350-40K8	3421	101	B1-U2-G1	3444	101	B1-U2-G1	3446	101	B1-U2-G1	3438	101	B2-U2-G2	34
ORX-2-SPT-32L-350-40K7	3697	109	B1-U2-G1	3721	109	B1-U2-G1	3723	109	B1-U2-G1	3714	109	B2-U2-G2	34
ORX-2-SPT-32L-350-50K8	3421	101	B1-U2-G1	3444	101	B1-U2-G1	3446	101	B1-U2-G1	3438	101	B2-U2-G2	34
ORX-2-SPT-32L-350-50K7	3697	109	B1-U2-G1	3721	109	B1-U2-G1	3723	109	B1-U2-G1	3714	109	B2-U2-G2	34
ORX-2-SPT-32L-530-27K7	4792	92	B1-U2-G1	4823	93	B1-U2-G1	4826	93	B1-U2-G1	4815	93	B3-U2-G3	52
ORX-2-SPT-32L-530-27K8	4487	86	B1-U2-G1	4516	87	B1-U2-G1	4518	87	B1-U2-G1	4508	87	B3-U2-G3	52
ORX-2-SPT-32L-530-30K8	4810	93	B1-U2-G1	4842	93	B1-U2-G1	4844	93	B1-U2-G1	4833	93	B3-U2-G3	52
ORX-2-SPT-32L-530-30K7	5181	100	B1-U2-G1	5215	100	B1-U2-G1	5218	100	B1-U2-G1	5206	100	B3-U2-G3	52
ORX-2-SPT-32L-530-35K8	4810	93	B1-U2-G1	4842	93	B1-U2-G1	4844	93	B1-U2-G1	4833	93	B3-U2-G3	52
ORX-2-SPT-32L-530-40K8	5181	100	B1-U2-G1	5215	100	B1-U2-G1	5218	100	B1-U2-G1	5206	100	B3-U2-G3	52
ORX-2-SPT-32L-530-40K7	5598	108	B1-U2-G2	5634	108	B1-U2-G1	5638	108	B1-U2-G1	5625	108	B3-U2-G3	52
ORX-2-SPT-32L-530-50K8	5181	100	B1-U2-G1	5215	100	B1-U2-G1	5218	100	B1-U2-G1	5206	100	B3-U2-G3	52
ORX-2-SPT-32L-530-50K7	5598	108	B1-U2-G2	5634	108	B1-U2-G1	5638	108	B1-U2-G1	5625	108	B3-U2-G3	52
ORX-2-SPT-32L-700-27K7	6329	93	B1-U2-G2	6370	94	B2-U2-G2	6374	94	B1-U2-G1	6359	94	B3-U2-G3	68
ORX-2-SPT-32L-700-27K8	5926	87	B1-U2-G1	5965	88	B2-U2-G1	5968	88	B1-U2-G1	5954	88	B3-U2-G3	68
ORX-2-SPT-32L-700-30K8	6353	93	B1-U2-G2	6395	94	B2-U2-G2	6398	94	B1-U2-G1	6384	94	B3-U2-G3	68
ORX-2-SPT-32L-700-30K7	6843	101	B2-U2-G2	6887	101	B2-U2-G2	6891	101	B1-U2-G1	6875	101	B3-U2-G3	68
ORX-2-SPT-32L-700-35K8	6353	93	B1-U2-G2	6395	94	B2-U2-G2	6398	94	B1-U2-G1	6384	94	B3-U2-G3	68
ORX-2-SPT-32L-700-40K8	6843	101	B2-U2-G2	6887	101	B2-U2-G2	6891	101	B1-U2-G1	6875	101	B3-U2-G3	68
ORX-2-SPT-32L-700-40K7	7393	109	B2-U2-G2	7442	109	B2-U3-G2	7446	109	B2-U2-G2	7429	109	B3-U3-G3	68
ORX-2-SPT-32L-700-50K8	6843	101	B2-U2-G2	6887	101	B2-U2-G2	6891	101	B1-U2-G1	6875	101	B3-U2-G3	68
ORX-2-SPT-32L-700-50K7	7393	109	B2-U2-G2	7442	109	B2-U3-G2	7446	109	B2-U2-G2	7429	109	B3-U3-G3	68
ORX-2-SPT-32L-1050-27K7	9493	93	B2-U3-G2	9555	94	B2-U3-G2	9560	94	B2-U3-G2	9539	94	B3-U3-G3	102
ORX-2-SPT-32L-1050-27K8	8889	87	B2-U3-G2	8947	88	B2-U3-G2	8952	88	B2-U3-G2	8931	88	B3-U3-G3	102
ORX-2-SPT-32L-1050-30K8	9530	93	B2-U3-G2	9592	94	B2-U3-G2	9598	94	B2-U3-G2	9576	94	B3-U3-G3	102
ORX-2-SPT-32L-1050-30K7	10264	101	B2-U3-G2	10331	101	B2-U3-G2	10337	101	B2-U3-G2	10313	101	B3-U3-G3	102
ORX-2-SPT-32L-1050-35K8	9530	93	B2-U3-G2	9592	94	B2-U3-G2	9598	94	B2-U3-G2	9576	94	B3-U3-G3	102
ORX-2-SPT-32L-1050-40K8	10264	101	B2-U3-G2	10331	101	B2-U3-G2	10337	101	B2-U3-G2	10313	101	B3-U3-G3	102
ORX-2-SPT-32L-1050-40K7	11090	109	B2-U3-G2	11163	109	B2-U3-G2	11169	109	B2-U3-G2	11143	109	B4-U3-G4	102
ORX-2-SPT-32L-1050-50K8	10264	101	B2-U3-G2	10331	101	B2-U3-G2	10337	101	B2-U3-G2	10313	101	B3-U3-G3	102
ORX-2-SPT-32L-1050-50K7	11090	109	B2-U3-G2	11163	109	B2-U3-G2	11169	109	B2-U3-G2	11143	109	B4-U3-G4	102
ORX-2-SPT-32L-1250-27K7	11301	90	B2-U3-G2	11375	91	B2-U3-G2	11381	91	B2-U3-G2	11356	91	B4-U3-G4	125
ORX-2-SPT-32L-1250-27K8	10582	85	B2-U3-G2	10651	85	B2-U3-G2	10657	85	B2-U3-G2	10633	85	B4-U3-G4	125
ORX-2-SPT-32L-1250-30K8	11345	91	B2-U3-G2	11419	91	B2-U3-G2	11426	91	B2-U3-G2	11400	91	B4-U3-G4	125
ORX-2-SPT-32L-1250-30K7	12219	98	B2-U3-G2	12299	98	B2-U3-G2	12305	98	B2-U3-G2	12278	98	B4-U3-G4	125
ORX-2-SPT-32L-1250-35K8	11345	91	B2-U3-G2	11419	91	B2-U3-G2	11426	91	B2-U3-G2	11400	91	B4-U3-G4	125
ORX-2-SPT-32L-1250-40K8	12219	98	B2-U3-G2	12299	98	B2-U3-G2	12305	98	B2-U3-G2	12278	98	B4-U3-G4	125
ORX-2-SPT-32L-1250-40K7	13202	106	B2-U3-G2	13289	106	B2-U3-G2	13296	106	B2-U3-G2	13266	106	B4-U3-G4	125
ORX-2-SPT-32L-1250-50K8	12219	98	B2-U3-G2	12299	98	B2-U3-G2	12305	98	B2-U3-G2	12278	98	B4-U3-G4	125
ORX-2-SPT-32L-1250-50K7	13202	106	B2-U3-G2	13289	106	B2-U3-G2	13296	106	B2-U3-G2	13266	106	B4-U3-G4	125
ORX-2-SPT-32L-1400-27K7	12657	90	B2-U3-G2	12740	91	B2-U3-G2	12747	91	B2-U3-G2	12718	91	B4-U3-G4	140
ORX-2-SPT-32L-1400-27K8	11851	85	B2-U3-G2	11929	85	B2-U3-G2	11935	85	B2-U3-G2	11908	85	B4-U3-G4	140
ORX-2-SPT-32L-1400-30K8	12707	91	B2-U3-G2	12790	91	B2-U3-G2	12797	91	B2-U3-G2	12768	91	B4-U3-G4	140
ORX-2-SPT-32L-1400-30K7	13685	98	B2-U3-G2	13775	98	B2-U3-G2	13782	98	B2-U3-G2	13751	98	B4-U3-G4	140
ORX-2-SPT-32L-1400-35K8	12707	91	B2-U3-G2	12790	91	B2-U3-G2	12797	91	B2-U3-G2	12768	91	B4-U3-G4	140
ORX-2-SPT-32L-1400-40K8	13685	98	B2-U3-G2	13775	98	B2-U3-G2	13782	98	B2-U3-G2	13751	98	B4-U3-G4	140
ORX-2-SPT-32L-1400-40K7	14787	106	B2-U3-G2	14884	106	B2-U3-G2	14892	106	B2-U3-G2	14858	106	B4-U3-G4	140
ORX-2-SPT-32L-1400-50K8	13685	98	B2-U3-G2	13775	98	B2-U3-G2	13782	98	B2-U3-G2	13751	98	B4-U3-G4	140
ORX-2-SPT-32L-1400-50K7	14787	106	B2-U3-G2	14884	106	B2-U3-G2	14892	106	B2-U3-G2	14858	106	B4-U3-G4	140

PRODUCT SPECIFICATIONS

SINGLE ARM POST TOP LUMENS

Part Number	LUMEN CHART												WATTAGE
	T4	LM/W	BUG	T3	LM/W	BUG	T2	LM/W	BUG	T5	LM/W	BUG	
ORX-2-SPT-48L-350-27K7	4746	93	B1-U2-G1	4778	94	B1-U2-G1	4780	94	B1-U2-G1	4769	94	B3-U2-G3	51
ORX-2-SPT-48L-350-27K8	4444	87	B1-U2-G1	4473	88	B1-U2-G1	4476	88	B1-U2-G1	4466	88	B3-U2-G3	51
ORX-2-SPT-48L-350-30K8	4765	93	B1-U2-G1	4796	94	B1-U2-G1	4799	94	B1-U2-G1	4788	94	B3-U2-G3	51
ORX-2-SPT-48L-350-30K7	5132	101	B1-U2-G1	5166	101	B1-U2-G1	5168	101	B1-U2-G1	5157	101	B3-U2-G3	51
ORX-2-SPT-48L-350-35K8	4765	93	B1-U2-G1	4796	94	B1-U2-G1	4799	94	B1-U2-G1	4788	94	B3-U2-G3	51
ORX-2-SPT-48L-350-40K8	5132	101	B1-U2-G1	5166	101	B1-U2-G1	5168	101	B1-U2-G1	5157	101	B3-U2-G3	51
ORX-2-SPT-48L-350-40K7	5545	109	B1-U2-G2	5581	109	B1-U2-G2	5584	109	B1-U2-G2	5572	109	B3-U2-G3	51
ORX-2-SPT-48L-350-50K8	5132	101	B1-U2-G1	5166	101	B1-U2-G1	5168	101	B1-U2-G1	5157	101	B3-U2-G3	51
ORX-2-SPT-48L-350-50K7	5545	109	B1-U2-G2	5581	109	B1-U2-G2	5584	109	B1-U2-G2	5572	109	B3-U2-G3	51
ORX-2-SPT-48L-530-27K7	7188	92	B2-U2-G2	7235	93	B2-U2-G2	7239	93	B1-U2-G2	7222	93	B3-U2-G3	78
ORX-2-SPT-48L-530-27K8	6730	86	B2-U2-G2	6774	87	B2-U2-G2	6778	87	B1-U2-G1	6762	87	B3-U2-G3	78
ORX-2-SPT-48L-530-30K8	7216	93	B2-U2-G2	7263	93	B2-U2-G2	7267	93	B1-U2-G2	7250	93	B3-U2-G3	78
ORX-2-SPT-48L-530-30K7	7771	100	B2-U3-G2	7822	100	B2-U3-G2	7826	100	B2-U2-G2	7809	100	B3-U2-G3	78
ORX-2-SPT-48L-530-35K8	7216	93	B2-U2-G2	7263	93	B2-U2-G2	7267	93	B1-U2-G2	7250	93	B3-U2-G3	78
ORX-2-SPT-48L-530-40K8	7771	100	B2-U3-G2	7822	100	B2-U3-G2	7826	100	B2-U2-G2	7809	100	B3-U3-G3	78
ORX-2-SPT-48L-530-40K7	8397	108	B2-U3-G2	8452	108	B2-U3-G2	8456	108	B2-U3-G2	8437	108	B3-U3-G3	78
ORX-2-SPT-48L-530-50K8	7771	100	B2-U3-G2	7822	100	B2-U3-G2	7826	100	B2-U2-G2	7809	100	B3-U3-G3	78
ORX-2-SPT-48L-530-50K7	8397	108	B2-U3-G2	8452	108	B2-U3-G2	8456	108	B2-U3-G2	8437	108	B3-U3-G3	78
ORX-2-SPT-48L-700-27K7	9493	93	B2-U3-G2	9555	94	B2-U3-G2	9560	94	B2-U3-G2	9539	94	B3-U3-G3	102
ORX-2-SPT-48L-700-27K8	8889	87	B2-U3-G2	8947	88	B2-U3-G2	8952	88	B2-U3-G2	8931	88	B3-U3-G3	102
ORX-2-SPT-48L-700-30K8	9530	93	B2-U3-G2	9592	94	B2-U3-G2	9598	94	B2-U3-G2	9576	94	B3-U3-G3	102
ORX-2-SPT-48L-700-30K7	10264	101	B2-U3-G2	10331	101	B2-U3-G2	10337	101	B2-U3-G2	10313	101	B3-U3-G3	102
ORX-2-SPT-48L-700-35K8	9530	93	B2-U3-G2	9592	94	B2-U3-G2	9598	94	B2-U3-G2	9576	94	B3-U3-G3	102
ORX-2-SPT-48L-700-40K8	10264	101	B2-U3-G2	10331	101	B2-U3-G2	10337	101	B2-U3-G2	10313	101	B3-U3-G3	102
ORX-2-SPT-48L-700-40K7	11090	109	B2-U3-G2	11163	109	B2-U3-G2	11169	109	B2-U3-G2	11143	109	B4-U3-G4	102
ORX-2-SPT-48L-700-50K8	10264	101	B2-U3-G2	10331	101	B2-U3-G2	10337	101	B2-U3-G2	10313	101	B3-U3-G3	102
ORX-2-SPT-48L-700-50K7	11090	109	B2-U3-G2	11163	109	B2-U3-G2	11169	109	B2-U3-G2	11143	109	B4-U3-G4	102
ORX-2-SPT-48L-1050-27K7	14239	92	B3-U3-G3	14333	93	B3-U3-G3	14340	93	B2-U3-G2	14308	93	B4-U3-G4	154
ORX-2-SPT-48L-1050-27K8	13333	87	B3-U3-G3	13420	87	B3-U3-G3	13427	87	B2-U3-G2	13397	87	B4-U3-G4	154
ORX-2-SPT-48L-1050-30K8	14295	93	B3-U3-G3	14389	93	B3-U3-G3	14396	93	B2-U3-G2	14364	93	B4-U3-G4	154
ORX-2-SPT-48L-1050-30K7	15396	100	B3-U3-G3	15497	101	B3-U3-G3	15505	101	B3-U3-G3	15470	100	B4-U3-G4	154
ORX-2-SPT-48L-1050-35K8	14295	93	B3-U3-G3	14389	93	B3-U3-G3	14396	93	B2-U3-G2	14364	93	B4-U3-G4	154
ORX-2-SPT-48L-1050-40K8	15396	100	B3-U3-G3	15497	101	B3-U3-G3	15505	101	B3-U3-G3	15470	100	B4-U3-G4	154
ORX-2-SPT-48L-1050-40K7	16635	108	B3-U3-G3	16744	109	B3-U3-G3	16753	109	B3-U3-G3	16715	109	B4-U3-G4	154
ORX-2-SPT-48L-1050-50K8	15396	100	B3-U3-G3	15497	101	B3-U3-G3	15505	101	B3-U3-G3	15470	100	B4-U3-G4	154
ORX-2-SPT-48L-1050-50K7	16635	108	B3-U3-G3	16744	109	B3-U3-G3	16753	109	B3-U3-G3	16715	109	B4-U3-G4	154

Part Number	LUMEN CHART												WATTAGE
	T4	LM/W	BUG	T3	LM/W	BUG	T2	LM/W	BUG	T5	LM/W	BUG	
ORX-2-SPT-64L-350-27K7	6329	93	B1-U2-G2	6370	94	B2-U2-G2	6374	94	B1-U2-G1	6359	94	B3-U2-G3	68
ORX-2-SPT-64L-350-27K8	5926	87	B1-U2-G1	5964	88	B1-U2-G1	5968	88	B1-U2-G1	5954	88	B3-U2-G3	68
ORX-2-SPT-64L-350-30K8	6353	93	B1-U2-G2	6395	94	B2-U2-G2	6398	94	B1-U2-G1	6384	94	B3-U2-G3	68
ORX-2-SPT-64L-350-30K7	6843	101	B2-U2-G2	6887	101	B2-U2-G2	6891	101	B1-U2-G1	6875	101	B3-U2-G3	68
ORX-2-SPT-64L-350-35K8	6353	93	B1-U2-G2	6395	94	B2-U2-G2	6398	94	B1-U2-G1	6384	94	B3-U2-G3	68
ORX-2-SPT-64L-350-40K8	6843	101	B2-U2-G2	6887	101	B2-U2-G2	6891	101	B1-U2-G1	6875	101	B3-U2-G3	68
ORX-2-SPT-64L-350-40K7	7393	109	B2-U2-G2	7442	109	B2-U2-G2	7446	109	B2-U2-G2	7429	109	B3-U2-G3	68
ORX-2-SPT-64L-350-50K8	6843	101	B2-U2-G2	6887	101	B2-U2-G2	6891	101	B1-U2-G1	6875	101	B3-U2-G3	68
ORX-2-SPT-64L-350-50K7	7393	109	B2-U2-G2	7442	109	B2-U2-G2	7446	109	B2-U2-G2	7429	109	B3-U3-G3	68
ORX-2-SPT-64L-530-27K7	9583	93	B2-U3-G2	9646	94	B2-U3-G2	9652	94	B2-U3-G2	9629	93	B3-U3-G3	103
ORX-2-SPT-64L-530-27K8	8973	87	B2-U3-G2	9032	88	B2-U3-G2	9037	88	B2-U3-G2	9016	88	B3-U3-G3	103
ORX-2-SPT-64L-530-30K8	9621	93	B2-U3-G2	9684	94	B2-U3-G2	9689	94	B2-U3-G2	9667	94	B3-U3-G3	103
ORX-2-SPT-64L-530-30K7	10362	101	B2-U3-G2	10429	101	B2-U3-G2	10435	101	B2-U3-G2	10411	101	B3-U3-G3	103
ORX-2-SPT-64L-530-35K8	9621	93	B2-U3-G2	9684	94	B2-U3-G2	9689	94	B2-U3-G2	9667	94	B3-U3-G3	103
ORX-2-SPT-64L-530-40K8	10362	101	B2-U3-G2	10429	101	B2-U3-G2	10435	101	B2-U3-G2	10411	101	B3-U3-G3	103
ORX-2-SPT-64L-530-40K7	11196	109	B2-U3-G2	11269	109	B2-U3-G2	11275	109	B2-U3-G2	11249	109	B4-U3-G4	103
ORX-2-SPT-64L-530-50K8	10362	101	B2-U3-G2	10429	101	B2-U3-G2	10435	101	B2-U3-G2	10411	101	B3-U3-G3	103
ORX-2-SPT-64L-530-50K7	11196	109	B2-U3-G2	11269	109	B2-U3-G2	11275	109	B2-U3-G2	11249	109	B4-U3-G4	103
ORX-2-SPT-64L-700-27K7	12657	92	B2-U3-G2	12740	93	B3-U3-G3	12747	93	B2-U3-G2	12718	93	B4-U3-G4	137
ORX-2-SPT-64L-700-27K8	11852	87	B2-U3-G2	11929	87	B2-U3-G2	11936	87	B2-U3-G2	11908	87	B4-U3-G4	137
ORX-2-SPT-64L-700-30K8	12707	93	B2-U3-G2	12790	93	B3-U3-G3	12797	93	B2-U3-G2	12767	93	B4-U3-G4	137
ORX-2-SPT-64L-700-30K7	13685	100	B3-U3-G3	13775	101	B3-U3-G3	13782	101	B2-U3-G2	13751	100	B4-U3-G4	137
ORX-2-SPT-64L-700-35K8	12707	93	B2-U3-G2	12790	93	B3-U3-G3	12797	93	B2-U3-G2	12767	93	B4-U3-G4	137
ORX-2-SPT-64L-700-40K8	13685	100	B3-U3-G3	13775	101	B3-U3-G3	13782	101	B2-U3-G2	13751	100	B4-U3-G4	137
ORX-2-SPT-64L-700-40K7	14787	108	B3-U3-G3	14883	109	B3-U3-G3	14892	109	B3-U3-G3	14858	108	B4-U3-G4	137
ORX-2-SPT-64L-700-50K8	13685	100	B3-U3-G3	13775	101	B3-U3-G3	13782	101	B2-U3-G2	13751	100	B4-U3-G4	137
ORX-2-SPT-64L-700-50K7	14787	108	B3-U3-G3	14883	109	B3-U3-G3	14892	109	B3-U3-G3	14858	108	B4-U3-G4	137
ORX-2-SPT-64L-1-27K7	18082	90	B3-U3-G3	18200	91	B3-U3-G3	18210	91	B3-U3-G3	18169	91	B4-U3-G4	200
ORX-2-SPT-64L-1-27K8	16931	85	B3-U3-G3	17041	85	B3-U3-G3	17051	85	B3-U3-G3	17012	85	B4-U3-G4	200
ORX-2-SPT-64L-1-30K8	18152	91	B3-U3-G3	18271	91	B3-U3-G3	18281	91	B3-U3-G3	18239	91	B4-U3-G4	200
ORX-2-SPT-64L-1-30K7	19550	98	B3-U3-G3	19678	98	B3-U3-G3	19689	98	B3-U3-G3	19644	98	B4-U3-G4	200
ORX-2-SPT-64L-1-35K8	18152	91	B3-U3-G3	18271	91	B3-U3-G3	18281	91	B3-U3-G3	18239	91	B4-U3-G4	200
ORX-2-SPT-64L-1-40K8	19550	98	B3-U3-G3	19678	98	B3-U3-G3	19689	98	B3-U3-G3	19644	98	B4-U3-G4	200
ORX-2-SPT-64L-1-40K7	21124	106	B3-U3-G3	21262	106	B3-U3-G3	21274	106	B3-U3-G3	21225	106	B4-U3-G4	200
ORX-2-SPT-64L-1-50K8	19550	98	B3-U3-G3	19678	98	B3-U3-G3	19689	98	B3-U3-G3	19644	98	B4-U3-G4	200
ORX-2-SPT-64L-1-50K7	21124	106	B3-U3-G3	21262	106	B3-U3-G3	21274	106	B3-U3-G3	21225	106	B4-U3-G4	200



701 Kingshill Place, Carson, CA 90746
Call Us Today (310) 341-2037

nlsighting.com

PRODUCT SPECIFICATIONS

DOUBLE ARM POST TOP LUMENS

LUMEN CHART

Part Number	T4	LM/W	BUG	T3	LM/W	BUG	T2	LM/W	BUG	T5	LM/W	BUG	T5 BACKLIT DIFFUSED	LM/W	BUG	WATTAGE
ORX-2-DPT-16L-400-27K7	1767	84	B1-U2-G1	1776	85	B1-U2-G1	1791	85	B1-U1-G1	1832	87	B1-U2-G1	1208	58	B1-U0-G0	21
ORX-2-DPT-16L-400-27K8	1654	79	B1-U1-G1	1663	79	B1-U1-G1	1677	80	B0-U1-G0	1715	82	B1-U2-G1	1131	54	B1-U0-G0	21
ORX-2-DPT-16L-400-30K8	1774	84	B1-U2-G1	1783	85	B1-U2-G1	1798	86	B1-U1-G1	1839	88	B1-U2-G1	1212	58	B1-U0-G0	21
ORX-2-DPT-16L-400-30K7	1910	91	B1-U2-G1	1921	91	B1-U2-G1	1936	92	B1-U2-G1	1981	94	B1-U2-G1	1306	62	B1-U0-G0	21
ORX-2-DPT-16L-400-35K8	1774	84	B1-U2-G1	1783	85	B1-U2-G1	1798	86	B1-U1-G1	1839	88	B1-U2-G1	1212	58	B1-U0-G0	21
ORX-2-DPT-16L-400-40K8	1910	91	B1-U2-G1	1921	91	B1-U2-G1	1936	92	B1-U2-G1	1981	94	B1-U2-G1	1306	62	B1-U0-G0	21
ORX-2-DPT-16L-400-40K7	2064	98	B1-U2-G1	2075	99	B1-U2-G1	2092	100	B1-U2-G1	2140	102	B1-U2-G1	1411	67	B1-U0-G0	21
ORX-2-DPT-16L-400-50K8	1910	91	B1-U2-G1	1921	91	B1-U2-G1	1936	92	B1-U2-G1	1981	94	B1-U2-G1	1306	62	B1-U0-G0	21
ORX-2-DPT-16L-400-50K7	2064	98	B1-U2-G1	2075	99	B1-U2-G1	2092	100	B1-U2-G1	2140	102	B1-U2-G1	1411	67	B1-U0-G0	21
ORX-2-DPT-16L-530-27K7	2341	90	B1-U2-G1	2354	91	B1-U2-G1	2373	91	B1-U2-G1	2427	93	B3-U2-G1	1829	70	B1-U0-G1	26
ORX-2-DPT-16L-530-27K8	2192	84	B1-U2-G1	2204	85	B1-U2-G1	2222	85	B1-U2-G1	2273	87	B3-U2-G1	1712	66	B1-U0-G0	26
ORX-2-DPT-16L-530-30K8	2350	90	B1-U2-G1	2363	91	B1-U2-G1	2382	92	B1-U2-G1	2437	94	B3-U2-G1	1836	71	B1-U0-G1	26
ORX-2-DPT-16L-530-30K7	2531	97	B1-U2-G1	2545	98	B1-U2-G1	2565	99	B1-U2-G1	2624	101	B3-U2-G1	1977	76	B1-U0-G1	26
ORX-2-DPT-16L-530-35K8	2350	90	B1-U2-G1	2363	91	B1-U2-G1	2382	92	B1-U2-G1	2437	94	B3-U2-G1	1836	71	B1-U0-G1	26
ORX-2-DPT-16L-530-40K8	2531	97	B1-U2-G1	2545	98	B1-U2-G1	2565	99	B1-U2-G1	2624	101	B3-U2-G1	1977	76	B1-U0-G1	26
ORX-2-DPT-16L-530-40K7	2735	105	B1-U2-G1	2750	106	B1-U2-G1	2772	107	B1-U2-G1	2836	109	B3-U2-G1	2136	82	B1-U0-G1	26
ORX-2-DPT-16L-530-50K8	2531	97	B1-U2-G1	2545	98	B1-U2-G1	2565	99	B1-U2-G1	2624	101	B3-U2-G1	1977	76	B1-U0-G1	26
ORX-2-DPT-16L-530-50K7	2735	105	B1-U2-G1	2750	106	B1-U2-G1	2772	107	B1-U2-G1	2836	109	B3-U2-G1	2136	82	B1-U0-G1	26
ORX-2-DPT-16L-700-27K7	3092	91	B1-U2-G1	3109	91	B1-U2-G1	3134	92	B1-U2-G1	3206	94	B2-U2-G1	2415	71	B1-U0-G1	34
ORX-2-DPT-16L-700-27K8	2895	85	B1-U2-G1	2911	86	B1-U2-G1	2934	86	B1-U2-G1	3002	88	B2-U2-G1	2261	67	B1-U0-G1	34
ORX-2-DPT-16L-700-30K8	3104	91	B1-U2-G1	3121	92	B1-U2-G1	3146	93	B1-U2-G1	3218	95	B2-U2-G1	2425	71	B1-U0-G1	34
ORX-2-DPT-16L-700-30K7	3343	98	B1-U2-G1	3361	99	B1-U2-G1	3388	100	B1-U2-G1	3466	102	B2-U2-G1	2811	77	B1-U0-G1	34
ORX-2-DPT-16L-700-35K8	3104	91	B1-U2-G1	3121	92	B1-U2-G1	3146	93	B1-U2-G1	3218	95	B2-U2-G1	2425	71	B1-U0-G1	34
ORX-2-DPT-16L-700-40K8	3343	98	B1-U2-G1	3361	99	B1-U2-G1	3388	100	B1-U2-G1	3466	102	B2-U2-G1	2611	77	B1-U0-G1	34
ORX-2-DPT-16L-700-40K7	3612	106	B1-U2-G1	3632	107	B1-U2-G1	3661	108	B1-U2-G1	3745	110	B2-U2-G1	2822	83	B1-U0-G1	34
ORX-2-DPT-16L-700-50K8	3343	98	B1-U2-G1	3361	99	B1-U2-G1	3388	100	B1-U2-G1	3466	102	B2-U2-G1	2611	77	B1-U0-G1	34
ORX-2-DPT-16L-700-50K7	3612	106	B1-U2-G1	3632	107	B1-U2-G1	3661	108	B1-U2-G1	3745	110	B2-U2-G1	2822	83	B1-U0-G1	34
ORX-2-DPT-16L-1050-27K7	4638	91	B1-U2-G1	4663	91	B1-U2-G1	4701	92	B1-U2-G1	4809	94	B3-U2-G1	3623	71	B2-U0-G1	51
ORX-2-DPT-16L-1050-27K8	4343	85	B1-U2-G1	4366	86	B1-U2-G1	4401	86	B1-U2-G1	4503	88	B3-U2-G1	3392	67	B1-U0-G1	51
ORX-2-DPT-16L-1050-30K8	4656	91	B1-U2-G1	4681	92	B1-U2-G1	4719	93	B1-U2-G1	4827	95	B3-U2-G1	3637	71	B2-U0-G1	51
ORX-2-DPT-16L-1050-30K7	5015	98	B1-U2-G1	5042	99	B1-U2-G1	5082	100	B1-U2-G1	5199	102	B3-U2-G1	3917	77	B2-U0-G1	51
ORX-2-DPT-16L-1050-35K8	4656	91	B1-U2-G1	4681	92	B1-U2-G1	4719	93	B1-U2-G1	4827	95	B3-U2-G1	3637	71	B2-U0-G1	51
ORX-2-DPT-16L-1050-40K8	5015	98	B1-U2-G1	5042	99	B1-U2-G1	5082	100	B1-U2-G1	5199	102	B3-U2-G1	3917	77	B2-U0-G1	51
ORX-2-DPT-16L-1050-40K7	5418	106	B1-U2-G1	5447	107	B1-U2-G1	5491	108	B1-U2-G1	5618	110	B3-U2-G1	4232	83	B2-U0-G1	51
ORX-2-DPT-16L-1050-50K8	5015	98	B1-U2-G1	5042	99	B1-U2-G1	5082	100	B1-U2-G1	5199	102	B3-U2-G1	3917	77	B2-U0-G1	51
ORX-2-DPT-16L-1050-50K7	5418	106	B1-U2-G1	5447	107	B1-U2-G1	5491	108	B1-U2-G1	5618	110	B3-U2-G1	4232	83	B2-U0-G1	51



701 Kingshill Place, Carson, CA 90746
Call Us Today (310) 341-2037

nslighting.com

PRODUCT SPECIFICATIONS

DOUBLE ARM POST TOP LUMENS

LUMEN CHART																
Part Number	T4	LM/W	BUG	T3	LM/W	BUG	T2	LM/W	BUG	T5	LM/W	BUG	T5 BACKLIT DIFFUSED	LM/W	BUG	WATTAGE
ORX-2-DPT-32L-350-27K7	3092	91	B1-U2-G1	3109	91	B1-U2-G1	3134	92	B1-U2-G1	3206	94	B2-U2-G1	2415	71	B1-U0-G1	34
ORX-2-DPT-32L-350-27K8	2895	85	B1-U2-G1	2911	86	B1-U2-G1	2934	86	B1-U2-G1	3002	88	B2-U2-G1	2261	67	B1-U0-G1	34
ORX-2-DPT-32L-350-30K8	3104	91	B1-U2-G1	3121	92	B1-U2-G1	3146	93	B1-U2-G1	3218	95	B2-U2-G1	2425	71	B1-U0-G1	34
ORX-2-DPT-32L-350-30K7	3343	98	B1-U2-G1	3361	99	B1-U2-G1	3388	100	B1-U2-G1	3466	102	B2-U2-G1	2611	77	B1-U0-G1	34
ORX-2-DPT-32L-350-35K8	3104	91	B1-U2-G1	3121	92	B1-U2-G1	3146	93	B1-U2-G1	3218	95	B2-U2-G1	2425	71	B1-U0-G1	34
ORX-2-DPT-32L-350-40K8	3343	98	B1-U2-G1	3361	99	B1-U2-G1	3388	100	B1-U2-G1	3466	102	B2-U2-G1	2611	77	B1-U0-G1	34
ORX-2-DPT-32L-350-40K7	3612	106	B1-U2-G1	3632	107	B1-U2-G1	3661	108	B1-U2-G1	3745	110	B2-U2-G1	2822	83	B1-U0-G1	34
ORX-2-DPT-32L-350-50K8	3343	98	B1-U2-G1	3361	99	B1-U2-G1	3388	100	B1-U2-G1	3466	102	B2-U2-G1	2611	77	B1-U0-G1	34
ORX-2-DPT-32L-350-50K7	3612	106	B1-U2-G1	3632	107	B1-U2-G1	3661	108	B1-U2-G1	3745	110	B2-U2-G1	2822	83	B1-U0-G1	34
ORX-2-DPT-32L-530-27K7	4682	90	B1-U2-G1	4707	91	B1-U2-G1	4745	91	B1-U2-G1	4854	93	B3-U2-G1	3657	70	B2-U0-G1	52
ORX-2-DPT-32L-530-27K8	4384	84	B1-U2-G1	4408	85	B1-U2-G1	4443	85	B1-U2-G1	4545	87	B3-U2-G1	3424	66	B1-U0-G1	52
ORX-2-DPT-32L-530-30K8	4700	90	B1-U2-G1	4726	91	B1-U2-G1	4764	92	B1-U2-G1	4873	94	B3-U2-G1	3672	71	B2-U0-G1	52
ORX-2-DPT-32L-530-30K7	5062	97	B1-U2-G1	5090	98	B1-U2-G1	5131	99	B1-U2-G1	5249	101	B3-U2-G1	3954	76	B2-U0-G1	52
ORX-2-DPT-32L-530-35K8	4700	90	B1-U2-G1	4726	91	B1-U2-G1	4764	92	B1-U2-G1	4873	94	B3-U2-G1	3672	71	B2-U0-G1	52
ORX-2-DPT-32L-530-40K8	5062	97	B1-U2-G1	5090	98	B1-U2-G1	5131	99	B1-U2-G1	5249	101	B3-U2-G1	3954	76	B2-U0-G1	52
ORX-2-DPT-32L-530-40K7	5470	105	B1-U2-G2	5499	106	B1-U2-G1	5544	107	B1-U2-G1	5671	109	B3-U2-G1	4273	82	B2-U0-G1	52
ORX-2-DPT-32L-530-50K8	5062	97	B1-U2-G1	5090	98	B1-U2-G1	5131	99	B1-U2-G1	5249	101	B3-U2-G1	3954	76	B2-U0-G1	52
ORX-2-DPT-32L-530-50K7	5470	105	B1-U2-G2	5499	106	B1-U2-G1	5544	107	B1-U2-G1	5671	109	B3-U2-G1	4273	82	B2-U0-G1	52
ORX-2-DPT-32L-700-27K7	6184	91	B2-U2-G2	6217	91	B2-U2-G2	6267	92	B1-U2-G1	6412	94	B3-U2-G1	4830	71	B2-U0-G1	68
ORX-2-DPT-32L-700-27K8	5790	85	B1-U2-G2	5821	86	B2-U2-G2	5868	86	B1-U2-G1	6003	88	B3-U2-G1	4523	67	B2-U0-G1	68
ORX-2-DPT-32L-700-30K8	6208	91	B2-U2-G2	6241	92	B2-U2-G2	6292	93	B1-U2-G1	6437	95	B3-U2-G1	4849	71	B2-U0-G1	68
ORX-2-DPT-32L-700-30K7	6686	98	B2-U2-G2	6722	99	B2-U2-G2	6776	100	B1-U2-G2	6932	102	B3-U3-G1	5223	77	B2-U0-G1	68
ORX-2-DPT-32L-700-35K8	6208	91	B2-U2-G2	6241	92	B2-U2-G2	6292	93	B1-U2-G1	6437	95	B3-U2-G1	4849	71	B2-U0-G1	68
ORX-2-DPT-32L-700-40K8	6686	98	B2-U2-G2	6722	99	B2-U2-G2	6776	100	B1-U2-G2	6932	102	B3-U3-G1	5223	77	B2-U0-G1	68
ORX-2-DPT-32L-700-40K7	7224	106	B2-U2-G2	7263	107	B2-U2-G2	7322	108	B2-U2-G2	7490	110	B3-U3-G2	5643	83	B2-U0-G1	68
ORX-2-DPT-32L-700-50K8	6686	98	B2-U2-G2	6722	99	B2-U2-G2	6776	100	B1-U2-G2	6932	102	B3-U3-G1	5223	77	B2-U0-G1	68
ORX-2-DPT-32L-700-50K7	7224	106	B2-U2-G2	7263	107	B2-U2-G2	7322	108	B2-U2-G2	7490	110	B3-U3-G2	5643	83	B2-U0-G1	68
ORX-2-DPT-32L-1050-27K7	9276	91	B2-U3-G2	9326	91	B2-U3-G2	9401	92	B2-U3-G2	9617	94	B3-U3-G2	7246	71	B3-U0-G1	102
ORX-2-DPT-32L-1050-27K8	8686	85	B2-U3-G2	8732	86	B2-U3-G2	8803	86	B2-U3-G2	9005	88	B3-U3-G2	6784	67	B2-U0-G1	102
ORX-2-DPT-32L-1050-30K8	9312	91	B2-U3-G2	9362	92	B2-U3-G2	9438	93	B2-U3-G2	9655	95	B3-U3-G2	7274	71	B3-U0-G1	102
ORX-2-DPT-32L-1050-30K7	10029	98	B2-U3-G2	10083	99	B2-U3-G2	10164	100	B2-U3-G2	10398	102	B4-U3-G2	7834	77	B3-U0-G1	102
ORX-2-DPT-32L-1050-35K8	9312	91	B2-U3-G2	9362	92	B2-U3-G2	9438	93	B2-U3-G2	9655	95	B3-U3-G2	7274	71	B3-U0-G1	102
ORX-2-DPT-32L-1050-40K8	10029	98	B2-U3-G2	10083	99	B2-U3-G2	10164	100	B2-U3-G2	10398	102	B4-U3-G2	7834	77	B3-U0-G1	102
ORX-2-DPT-32L-1050-40K7	10837	106	B2-U3-G2	10895	107	B2-U3-G2	10983	108	B2-U3-G2	11235	110	B4-U3-G2	8465	83	B3-U0-G1	102
ORX-2-DPT-32L-1050-50K8	10029	98	B2-U3-G2	10083	99	B2-U3-G2	10164	100	B2-U3-G2	10398	102	B4-U3-G2	7834	77	B3-U0-G1	102
ORX-2-DPT-32L-1050-50K7	10837	106	B2-U3-G2	10895	107	B2-U3-G2	10983	108	B2-U3-G2	11235	110	B4-U3-G2	8465	83	B3-U0-G1	102
ORX-2-DPT-32L-1250-27K7	11043	88	B2-U3-G2	11102	89	B2-U3-G2	11192	90	B2-U3-G2	11449	92	B4-U3-G2				125
ORX-2-DPT-32L-1250-27K8	10340	83	B2-U3-G2	10395	83	B2-U3-G2	10479	84	B2-U3-G2	10720	86	B3-U3-G2				125
ORX-2-DPT-32L-1250-30K8	11086	89	B2-U3-G2	11145	89	B2-U3-G2	11235	90	B2-U3-G2	11494	92	B4-U3-G2				125
ORX-2-DPT-32L-1250-30K7	11940	96	B2-U3-G2	12004	96	B2-U3-G2	12101	97	B2-U3-G2	12379	99	B4-U3-G2				125
ORX-2-DPT-32L-1250-35K8	11086	89	B2-U3-G2	11145	89	B2-U3-G2	11235	90	B2-U3-G2	11494	92	B4-U3-G2				125
ORX-2-DPT-32L-1250-40K8	11940	96	B2-U3-G2	12004	96	B2-U3-G2	12101	97	B2-U3-G2	12379	99	B4-U3-G2				125
ORX-2-DPT-32L-1250-40K7	12901	103	B2-U3-G2	12970	104	B2-U3-G2	13075	105	B2-U3-G2	13375	107	B4-U3-G2				125
ORX-2-DPT-32L-1250-50K8	11940	96	B2-U3-G2	12004	96	B2-U3-G2	12101	97	B2-U3-G2	12379	99	B4-U3-G2				125
ORX-2-DPT-32L-1250-50K7	12901	103	B2-U3-G2	12970	104	B2-U3-G2	13075	105	B2-U3-G2	13375	107	B4-U3-G2				125
ORX-2-DPT-32L-1400-27K7	12368	88	B2-U3-G2	12434	89	B2-U3-G2	12535	90	B2-U3-G2	12823	92	B4-U3-G2				140
ORX-2-DPT-32L-1400-27K8	11581	83	B2-U3-G2	11643	83	B2-U3-G2	11737	84	B2-U3-G2	12007	86	B4-U3-G2				140
ORX-2-DPT-32L-1400-30K8	12416	89	B2-U3-G2	12483	89	B2-U3-G2	12584	90	B2-U3-G2	12873	92	B4-U3-G2				140
ORX-2-DPT-32L-1400-30K7	13372	96	B2-U3-G2	13444	96	B2-U3-G2	13553	97	B2-U3-G2	13864	99	B4-U3-G2				140
ORX-2-DPT-32L-1400-35K8	12416	89	B2-U3-G2	12483	89	B2-U3-G2	12584	90	B2-U3-G2	12873	92	B3-U3-G2				140
ORX-2-DPT-32L-1400-40K8	13372	96	B2-U3-G2	13444	96	B2-U3-G2	13553	97	B2-U3-G2	13864	99	B4-U3-G2				140
ORX-2-DPT-32L-1400-40K7	14449	103	B2-U3-G2	14526	104	B2-U3-G2	14644	105	B2-U3-G2	14980	107	B4-U3-G2				140
ORX-2-DPT-32L-1400-50K8	13372	96	B2-U3-G2	13444	96	B2-U3-G2	13553	97	B2-U3-G2	13864	99	B4-U3-G2				140
ORX-2-DPT-32L-1400-50K7	14449	103	B2-U3-G2	14526	104	B2-U3-G2	14644	105	B2-U3-G2	14980	107	B4-U3-G2				140



701 Kingshill Place, Carson, CA 90746
 Call Us Today (310) 341-2037

nslighting.com

PRODUCT SPECIFICATIONS

DOUBLE ARM POST TOP LUMENS

Part Number	LUMEN CHART															
	T4	LMW	BUG	T3	LMW	BUG	T2	LMW	BUG	T5	LMW	BUG	T5 BACKLIT DIFFUSED	LMW	BUG	WATTAGE
ORX-2-DPT-48L-350-27K7	4638	91	B1-U2-G1	4663	91	B1-U2-G1	4701	92	B1-U2-G1	4809	94	B3-U2-G1	3623	71	B2-U0-G1	51
ORX-2-DPT-48L-350-27K8	4343	85	B1-U2-G1	4366	86	B1-U2-G1	4401	86	B1-U2-G1	4503	88	B3-U2-G1	3392	67	B1-U0-G1	51
ORX-2-DPT-48L-350-30K8	4656	91	B1-U2-G1	4681	92	B1-U2-G1	4719	93	B1-U2-G1	4827	95	B3-U2-G1	3637	71	B2-U0-G1	51
ORX-2-DPT-48L-350-30K7	5015	98	B1-U2-G1	5042	99	B1-U2-G1	5082	100	B1-U2-G1	5199	102	B3-U2-G1	3917	77	B2-U0-G1	51
ORX-2-DPT-48L-350-35K8	4656	91	B1-U2-G1	4681	92	B1-U2-G1	4719	93	B1-U2-G1	4827	95	B3-U2-G1	3637	71	B2-U0-G1	51
ORX-2-DPT-48L-350-40K8	5015	98	B1-U2-G1	5042	99	B1-U2-G1	5082	100	B1-U2-G1	5199	102	B3-U2-G1	3917	77	B2-U0-G1	51
ORX-2-DPT-48L-350-40K7	5418	106	B1-U2-G1	5447	107	B1-U2-G1	5491	108	B1-U2-G1	5618	110	B3-U2-G1	4232	83	B2-U0-G1	51
ORX-2-DPT-48L-350-50K8	5015	98	B1-U2-G1	5042	99	B1-U2-G1	5082	100	B1-U2-G1	5199	102	B3-U2-G1	3917	77	B2-U0-G1	51
ORX-2-DPT-48L-350-50K7	5418	106	B1-U2-G1	5447	107	B1-U2-G1	5491	108	B1-U2-G1	5618	110	B3-U2-G1	4232	83	B2-U0-G1	51
ORX-2-DPT-48L-530-27K7	7023	90	B2-U2-G2	7061	91	B2-U2-G2	7118	91	B2-U2-G2	7282	93	B3-U3-G2	5486	70	B2-U0-G1	78
ORX-2-DPT-48L-530-27K8	6576	84	B2-U2-G2	6611	85	B2-U2-G2	6665	85	B1-U2-G1	6818	87	B3-U3-G1	5137	66	B2-U0-G1	78
ORX-2-DPT-48L-530-30K8	7051	90	B2-U2-G2	7088	91	B2-U2-G2	7146	92	B2-U2-G2	7310	94	B3-U3-G2	5507	71	B2-U0-G1	78
ORX-2-DPT-48L-530-30K7	7594	97	B2-U2-G2	7634	98	B2-U3-G2	7696	99	B2-U2-G2	7873	101	B3-U3-G2	5931	76	B2-U0-G1	78
ORX-2-DPT-48L-530-35K8	7051	90	B2-U2-G2	7088	91	B2-U2-G2	7146	92	B2-U2-G2	7310	94	B3-U3-G2	5507	71	B2-U0-G1	78
ORX-2-DPT-48L-530-40K8	7594	97	B2-U2-G2	7634	98	B2-U3-G2	7696	99	B2-U2-G2	7873	101	B3-U3-G2	5931	76	B2-U0-G1	78
ORX-2-DPT-48L-530-40K7	8205	105	B2-U3-G2	8249	106	B2-U3-G2	8315	107	B2-U3-G2	8507	109	B3-U3-G2	6409	82	B2-U0-G1	78
ORX-2-DPT-48L-530-50K8	7594	97	B2-U2-G2	7634	98	B2-U3-G2	7696	99	B2-U2-G2	7873	101	B3-U3-G2	5931	76	B2-U0-G1	78
ORX-2-DPT-48L-530-50K7	8205	105	B2-U3-G2	8249	106	B2-U3-G2	8315	107	B2-U3-G2	8507	109	B3-U3-G2	6409	82	B2-U0-G1	78
ORX-2-DPT-48L-700-27K7	9276	91	B2-U3-G2	9326	91	B2-U3-G2	9401	92	B2-U3-G2	9617	94	B3-U3-G2	7246	71	B3-U0-G1	102
ORX-2-DPT-48L-700-27K8	8686	85	B2-U3-G2	8732	86	B2-U3-G2	8803	86	B2-U3-G2	9005	88	B3-U3-G2	6784	67	B2-U0-G1	102
ORX-2-DPT-48L-700-30K8	9312	91	B2-U3-G2	9362	92	B2-U3-G2	9438	93	B2-U3-G2	9655	95	B3-U3-G2	7274	71	B3-U0-G1	102
ORX-2-DPT-48L-700-30K7	10029	98	B2-U3-G2	10083	99	B2-U3-G2	10164	100	B2-U3-G2	10398	102	B4-U3-G2	7834	77	B3-U0-G1	102
ORX-2-DPT-48L-700-35K8	9312	91	B2-U3-G2	9362	92	B2-U3-G2	9438	93	B2-U3-G2	9655	95	B3-U3-G2	7274	71	B2-U0-G1	102
ORX-2-DPT-48L-700-40K8	10029	98	B2-U3-G2	10083	99	B2-U3-G2	10164	100	B2-U3-G2	10398	102	B4-U3-G2	7834	77	B3-U0-G1	102
ORX-2-DPT-48L-700-40K7	10837	106	B2-U3-G2	10895	107	B2-U3-G2	10983	108	B2-U3-G2	11235	110	B4-U3-G2	8465	83	B3-U0-G1	102
ORX-2-DPT-48L-700-50K8	10029	98	B2-U3-G2	10083	99	B2-U3-G2	10164	100	B2-U3-G2	10398	102	B4-U3-G2	7834	77	B3-U0-G1	102
ORX-2-DPT-48L-700-50K7	10837	106	B2-U3-G2	10895	107	B2-U3-G2	10983	108	B2-U3-G2	11235	110	B4-U3-G2	8465	83	B3-U0-G1	102
ORX-2-DPT-48L-1050-27K7	13914	90	B3-U3-G3	13989	91	B3-U3-G3	14102	92	B3-U3-G3	14426	94	B4-U3-G2	10869	71	B3-U0-G1	154
ORX-2-DPT-48L-1050-27K8	13028	85	B3-U3-G3	13098	85	B3-U3-G3	13204	86	B2-U3-G2	13508	88	B4-U3-G2	10177	66	B3-U0-G1	154
ORX-2-DPT-48L-1050-30K8	13968	91	B3-U3-G3	14043	91	B3-U3-G3	14157	92	B3-U3-G3	14482	94	B4-U3-G2	10911	71	B3-U0-G1	154
ORX-2-DPT-48L-1050-30K7	15044	98	B3-U3-G3	15125	98	B3-U3-G3	15247	99	B3-U3-G3	15597	101	B4-U3-G2	11751	76	B3-U0-G1	154
ORX-2-DPT-48L-1050-35K8	13968	91	B3-U3-G3	14043	91	B3-U3-G3	14157	92	B3-U3-G3	14482	94	B4-U3-G2	10911	71	B3-U0-G1	154
ORX-2-DPT-48L-1050-40K8	15044	98	B3-U3-G3	15125	98	B3-U3-G3	15247	99	B3-U3-G3	15597	101	B4-U3-G2	11751	76	B3-U0-G1	154
ORX-2-DPT-48L-1050-40K7	16255	106	B3-U3-G3	16342	106	B3-U3-G3	16474	107	B3-U3-G3	16853	109	B4-U3-G2	12697	82	B3-U0-G1	154
ORX-2-DPT-48L-1050-50K8	15044	98	B3-U3-G3	15125	98	B3-U3-G3	15247	99	B3-U3-G3	15597	101	B4-U3-G2	11751	76	B3-U0-G1	154
ORX-2-DPT-48L-1050-50K7	16255	106	B3-U3-G3	16342	106	B3-U3-G3	16474	107	B3-U3-G3	16853	109	B4-U3-G2	12697	82	B3-U0-G1	154



701 Kingshill Place, Carson, CA 90746
Call Us Today (310) 341-2037

nslighting.com

PRODUCT SPECIFICATIONS

DOUBLE ARM POST TOP LUMENS

Part Number	LUMEN CHART															
	T4	LM/W	BUG	T3	LM/W	BUG	T2	LM/W	BUG	T5	LM/W	BUG	T5 BACKLIT DIFFUSED	LM/W	BUG	WATTAGE
ORX-2-DPT-64L-350-27K7	6184	91	B2-U2-G2	6217	91	B2-U2-G2	6267	92	B1-U2-G1	6411	94	B3-U2-G1	4830	71	B2-U0-G1	68
ORX-2-DPT-64L-350-27K8	5790	85	B1-U2-G2	5821	86	B2-U2-G2	5868	86	B1-U2-G1	6003	88	B3-U2-G1	4523	67	B2-U0-G1	68
ORX-2-DPT-64L-350-30K8	6208	91	B2-U2-G2	6241	92	B2-U2-G2	6292	93	B1-U2-G1	6436	95	B3-U2-G1	4849	71	B2-U0-G1	68
ORX-2-DPT-64L-350-30K7	6686	98	B2-U2-G2	6722	99	B2-U2-G2	6776	100	B1-U2-G2	6932	102	B3-U3-G1	5223	77	B2-U0-G1	68
ORX-2-DPT-64L-350-35K8	6208	91	B2-U2-G2	6241	92	B2-U2-G2	6292	93	B1-U2-G1	6436	95	B3-U2-G1	4849	71	B2-U0-G1	68
ORX-2-DPT-64L-350-40K8	6686	98	B2-U2-G2	6722	99	B2-U2-G2	6776	100	B1-U2-G2	6932	102	B3-U3-G1	5223	77	B2-U0-G1	68
ORX-2-DPT-64L-350-40K7	7224	106	B2-U2-G2	7263	107	B2-U2-G2	7322	108	B2-U2-G2	7490	110	B3-U3-G2	5643	83	B2-U0-G1	68
ORX-2-DPT-64L-350-50K8	6686	98	B2-U2-G2	6722	99	B2-U2-G2	6776	100	B1-U2-G2	6932	102	B3-U3-G1	5223	77	B2-U0-G1	68
ORX-2-DPT-64L-350-50K7	7224	106	B2-U2-G2	7263	107	B2-U2-G2	7322	108	B2-U2-G2	7490	110	B3-U3-G2	5643	83	B2-U0-G1	68
ORX-2-DPT-64L-530-27K7	9364	91	B2-U3-G2	9415	91	B2-U3-G2	9490	92	B2-U3-G2	9709	94	B3-U3-G2	7315	71	B3-U0-G1	103
ORX-2-DPT-64L-530-27K8	8768	85	B2-U3-G2	8815	86	B2-U3-G2	8886	86	B2-U3-G2	9091	88	B3-U3-G2	6849	66	B2-U0-G1	103
ORX-2-DPT-64L-530-30K8	9401	91	B2-U3-G2	9451	92	B2-U3-G2	9527	92	B2-U3-G2	9746	95	B3-U3-G2	7343	71	B3-U0-G1	103
ORX-2-DPT-64L-530-30K7	10125	98	B2-U3-G2	10179	99	B2-U3-G2	10261	100	B2-U3-G2	10497	102	B4-U3-G2	7909	77	B3-U0-G1	103
ORX-2-DPT-64L-530-35K8	9401	91	B2-U3-G2	9451	92	B2-U3-G2	9527	92	B2-U3-G2	9746	95	B3-U3-G2	7343	71	B3-U0-G1	103
ORX-2-DPT-64L-530-40K8	10125	98	B2-U3-G2	10179	99	B2-U3-G2	10261	100	B2-U3-G2	10497	102	B4-U3-G2	7909	77	B3-U0-G1	103
ORX-2-DPT-64L-530-40K7	10940	106	B2-U3-G2	10999	107	B2-U3-G2	11087	108	B2-U3-G2	11342	110	B4-U3-G2	8545	83	B3-U0-G1	103
ORX-2-DPT-64L-530-50K8	10125	98	B2-U3-G2	10179	99	B2-U3-G2	10261	100	B2-U3-G2	10497	102	B4-U3-G2	7909	77	B3-U0-G1	103
ORX-2-DPT-64L-530-50K7	10940	106	B2-U3-G2	10999	107	B2-U3-G2	11087	108	B2-U3-G2	11342	110	B4-U3-G2	8545	83	B3-U0-G1	103
ORX-2-DPT-64L-700-27K7	12368	90	B3-U3-G3	12435	91	B3-U3-G3	12535	91	B2-U3-G2	12823	94	B4-U3-G2	9661	71	B3-U0-G1	137
ORX-2-DPT-64L-700-27K8	11581	85	B2-U3-G2	11643	85	B3-U3-G3	11737	86	B2-U3-G2	12006	88	B4-U3-G2	9046	66	B3-U0-G1	137
ORX-2-DPT-64L-700-30K8	12416	91	B3-U3-G3	12483	91	B3-U3-G3	12583	92	B2-U3-G2	12873	94	B4-U3-G2	9698	71	B3-U0-G1	137
ORX-2-DPT-64L-700-30K7	13372	98	B3-U3-G3	13444	98	B3-U3-G3	13552	99	B2-U3-G2	13864	101	B4-U3-G2	10445	76	B3-U0-G1	137
ORX-2-DPT-64L-700-35K8	12416	91	B3-U3-G3	12483	91	B3-U3-G3	12583	92	B2-U3-G2	12873	94	B4-U3-G2	9698	71	B3-U0-G1	137
ORX-2-DPT-64L-700-40K8	13372	98	B3-U3-G3	13444	98	B3-U3-G3	13552	99	B2-U3-G2	13864	101	B4-U3-G2	10445	76	B3-U0-G1	137
ORX-2-DPT-64L-700-40K7	14449	105	B3-U3-G3	14526	106	B3-U3-G3	14643	107	B3-U3-G3	14980	109	B4-U3-G2	11286	82	B3-U0-G1	137
ORX-2-DPT-64L-700-50K8	13372	98	B3-U3-G3	13444	98	B3-U3-G3	13552	99	B2-U3-G2	13864	101	B4-U3-G2	10445	76	B3-U0-G1	137
ORX-2-DPT-64L-700-50K7	14449	105	B3-U3-G3	14526	106	B3-U3-G3	14643	107	B3-U3-G3	14980	109	B4-U3-G2	11286	82	B3-U0-G1	137
ORX-2-DPT-64L-1-27K7	17669	88	B3-U3-G3	17764	89	B3-U3-G3	17907	90	B3-U3-G3	18318	92	B4-U3-G2	13801	69	B3-U0-G1	200
ORX-2-DPT-64L-1-27K8	16544	83	B3-U3-G3	16633	83	B3-U3-G3	16766	84	B3-U3-G3	17152	86	B4-U3-G2	12922	65	B3-U0-G1	200
ORX-2-DPT-64L-1-30K8	17737	89	B3-U3-G3	17833	89	B3-U3-G3	17976	90	B3-U3-G3	18390	92	B4-U3-G2	13855	69	B3-U0-G1	200
ORX-2-DPT-64L-1-30K7	19103	96	B3-U3-G3	19206	96	B3-U3-G3	19361	97	B3-U3-G3	19806	99	B4-U3-G2	14922	75	B3-U0-G1	200
ORX-2-DPT-64L-1-35K8	17737	89	B3-U3-G3	17833	89	B3-U3-G3	17976	90	B3-U3-G3	18390	92	B4-U3-G2	13855	69	B3-U0-G1	200
ORX-2-DPT-64L-1-40K8	19103	96	B3-U3-G3	19206	96	B3-U3-G3	19361	97	B3-U3-G3	19806	99	B4-U3-G2	14922	75	B3-U0-G1	200
ORX-2-DPT-64L-1-40K7	20641	103	B3-U3-G3	20752	104	B3-U3-G3	20919	105	B3-U3-G3	21400	107	B5-U3-G3	16123	81	B3-U0-G1	200
ORX-2-DPT-64L-1-50K8	19103	96	B3-U3-G3	19206	96	B3-U3-G3	19361	97	B3-U3-G3	19806	99	B4-U3-G2	14922	75	B3-U0-G1	200
ORX-2-DPT-64L-1-50K7	20641	103	B3-U3-G3	20752	104	B3-U3-G3	20919	105	B3-U3-G3	21400	107	B5-U3-G3	16123	81	B3-U0-G1	200



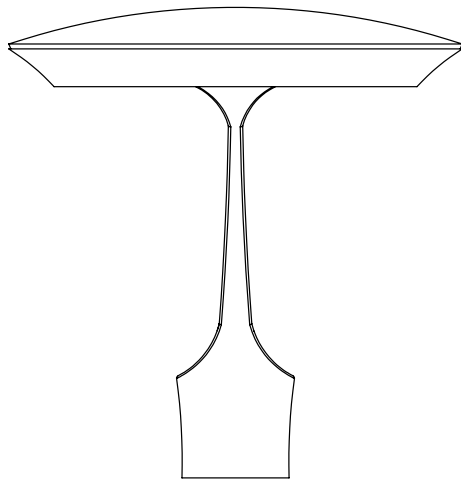
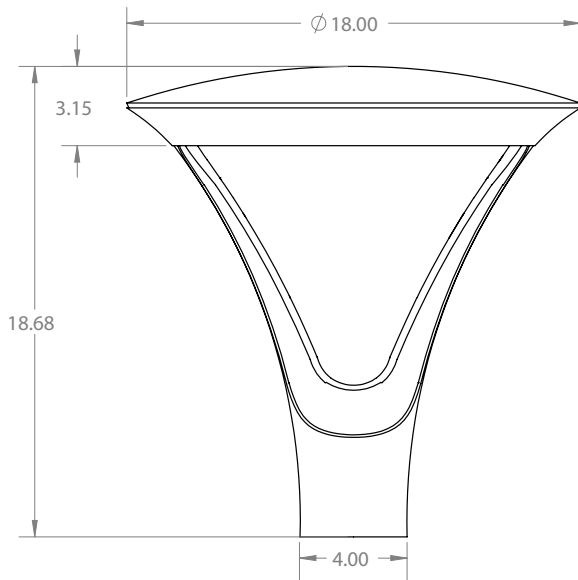
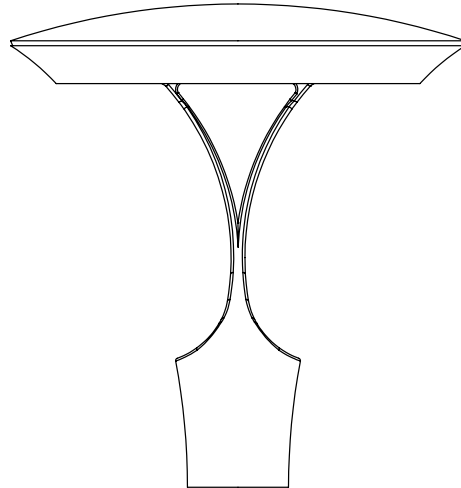
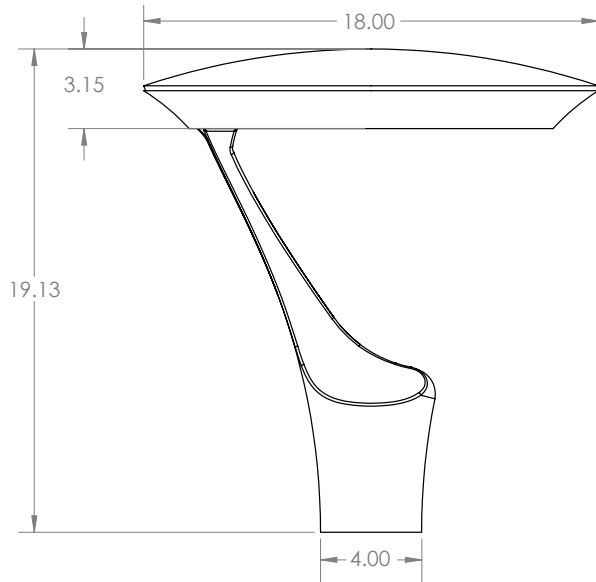
701 Kingshill Place, Carson, CA 90746
Call Us Today (310) 341-2037

nlsighting.com

PRODUCT SPECIFICATIONS

MODEL	WIDTH	HEIGHT	WEIGHT
ORX-2-SPT	18"	19.13	18 LBS
ORX-2-DPT	18"	18.68	19 LBS

MODEL	EPA
ORX-2-SPT	0.28 ft*2
ORX-2-DPT	0.28 ft*2



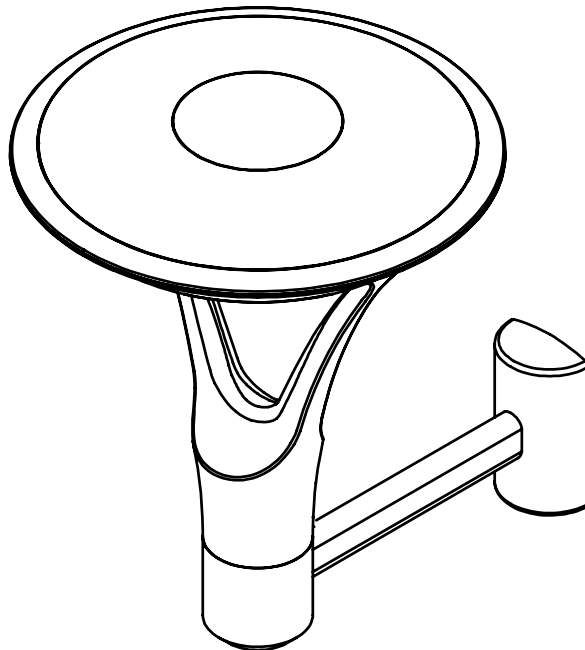
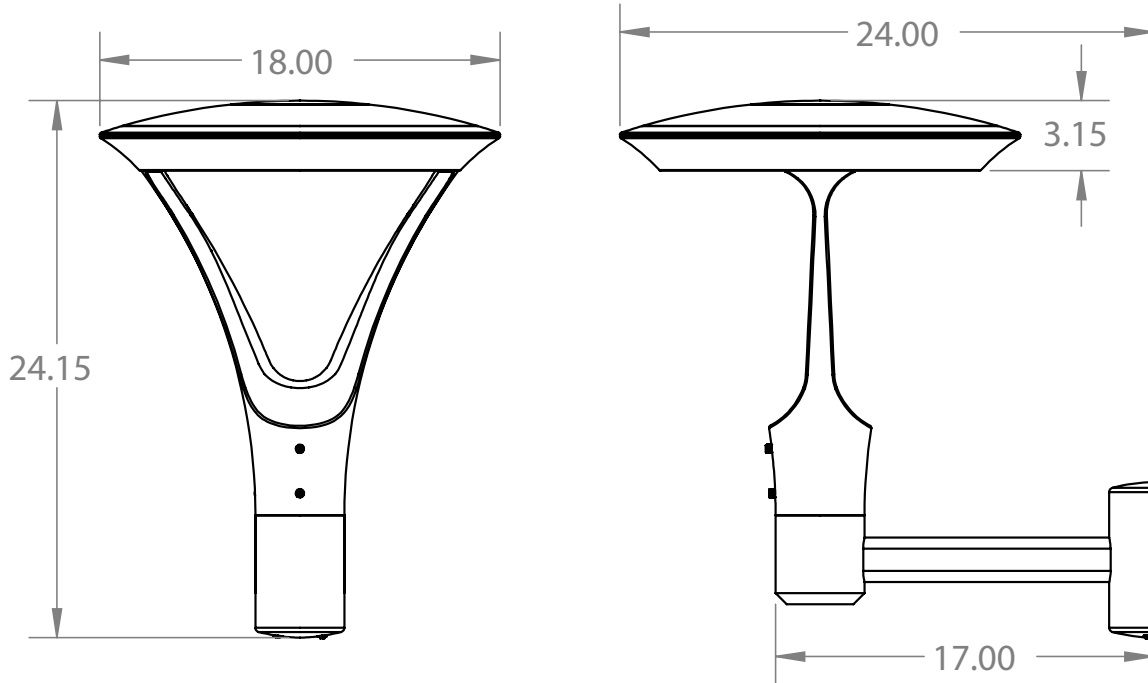
SCAN FOR INSTALLATION INSTRUCTIONS



PRODUCT SPECIFICATIONS

MODEL	WIDTH	HEIGHT	DEPTH	WEIGHT
ORX-2-SPTWM	18"	24.15"	24.0"	22.5 LBS
ORX-2-DPTWM	18"	24.15"	24.0"	23.5 LBS

MODEL	EPA
ORX-2-SPTWM	0.56 ft²
ORX-2-DPTWM	.054 ft²



SCAN FOR INSTALLATION INSTRUCTIONS



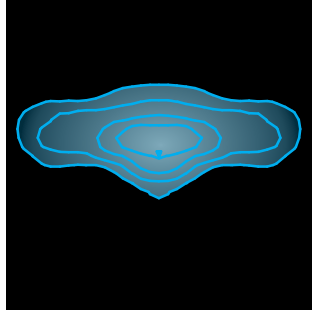
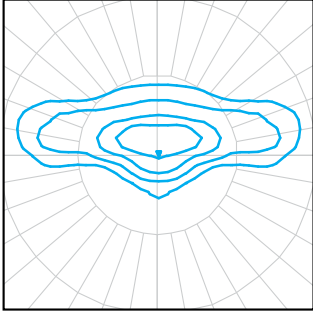
NLS
LIGHTING

701 Kingshill Place, Carson, CA 90746
Call Us Today (310) 341-2037

nlsighting.com

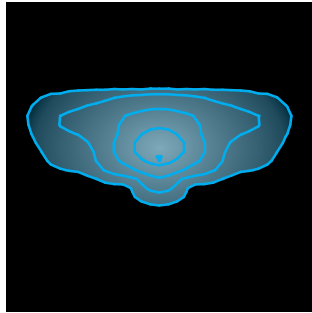
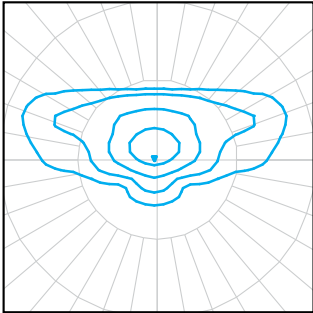
PRODUCT SPECIFICATIONS

IES DISTRIBUTIONS



T2 Optic

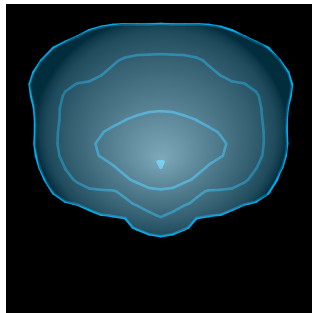
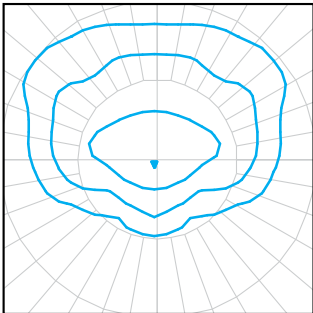
The Type II distribution is used for narrow pathways and trails, narrow entrances of shopping centers, parking lots and office complex's.



T3 Optic

The type III distribution is meant for roadway lighting, general parking areas and other areas where a larger area of lighting is required. Type III lighting needs to be placed to the side of the area, allowing the light to project outward and fill the area. This produces a filling light flow.

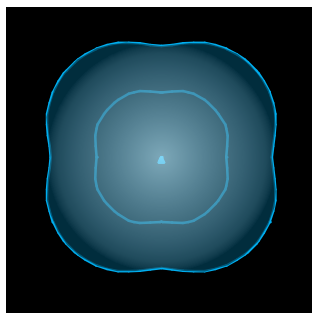
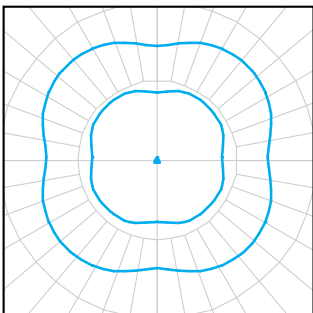
Type III light distributions have a preferred lateral width of 40 degrees. This distribution is intended for luminaires mounted at or near the side of medium width roadways or areas, where the width of the roadway or area does not exceed 2.75 times the mounting height.



T4 Optic

The type IV distribution produces a semicircular light meant for mounting on the sides of buildings and walls. It's best for illuminating the perimeter of parking areas and businesses. The intensity of the Type IV lighting has the same intensity at angles from 90 degrees to 270 degrees.

Type IV light distributions have a preferred lateral width of 60 degrees. This distribution is intended for side-of-road mounting and is generally used on wide roadways where the roadway width does not exceed 3.7 times the mounting height.



T5 Optic - Symmetrical

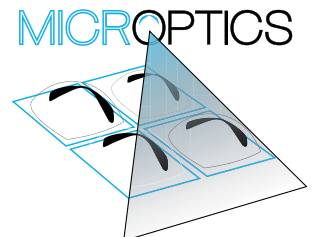
Type V produces a symmetrical distribution that has the same intensity at all angles. This distribution has a uniform symmetry of candlepower that is essentially the same at all lateral angles. It is meant for large, commercial parking lot lighting as well as areas where sufficient, evenly distributed light is necessary

SILICONE OPTICS

NLS Lighting Silicone Micro Optical System technology takes quality and performance to the highest level. Vandal resistant, superior clarity—Micro Optics have become the best and lasting solution in the industry.

BENEFITS

- Produces superior 96% clarity
- Heat resistant to 150° C, 50% higher than acrylic
- Ecologically friendly—no glare
- Vandal-resistant
- Does not brittle, crack, or yellow over time



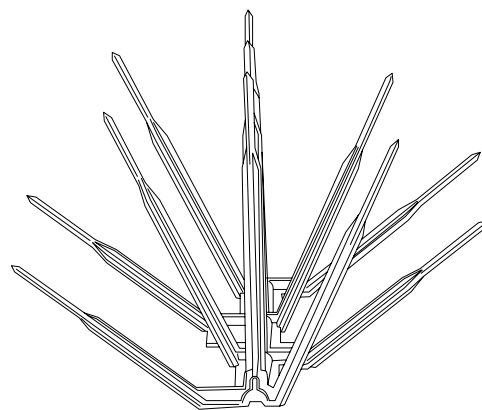
701 Kingshill Place, Carson, CA 90746
Call Us Today (310) 341-2037

nlsighting.com

PRODUCT SPECIFICATIONS

BIRD SPIKES (BS)

Bird Deterrent offers effective and humane deterrent for larger bird species and provides cost-effective long-term solution to nuisance bird infestations and protect your property.



MARINE GRADE FINISH (MGF)



Powder Coat Finish

3-5 mil Powder Coat

Primer Layer

3-5 mil Zinc Rich
Super Durable Polyester Primer

Prepared Casting

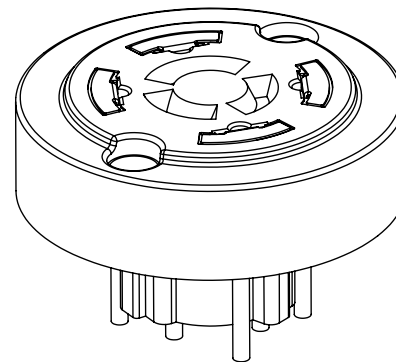
Chemically washed in multi Step 5 stage
cleaning process

Marine Grade Finish (MGF)

The **(MGF)** is a multi step process. Chemically washed in a 5 stage cleaning system. Pre-baked. Powder coated 3-5 mils of Zinc Rich Super Durable Polyester Primer. Oven Baked. Finished Powder Coating of Super Durable Polyester Powder Coat 3-5 mil thickness.

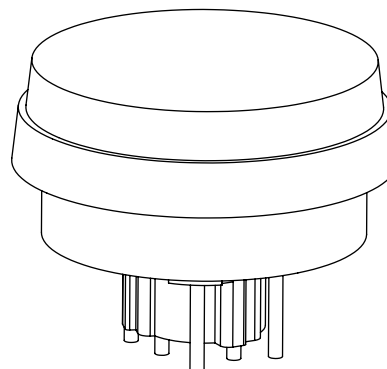
NEMA 7-PIN RECEPTACLE (PE7)

An ANSI C136.41-2013 receptacle provides electrical and mechanical interconnection between photo control cell and luminaire. Dimming receptacle available two or four dimming contacts supports 0-10 VDC dimming methods or Digital Addressable Lighting Interface (DALI), providing reliable power interconnect.



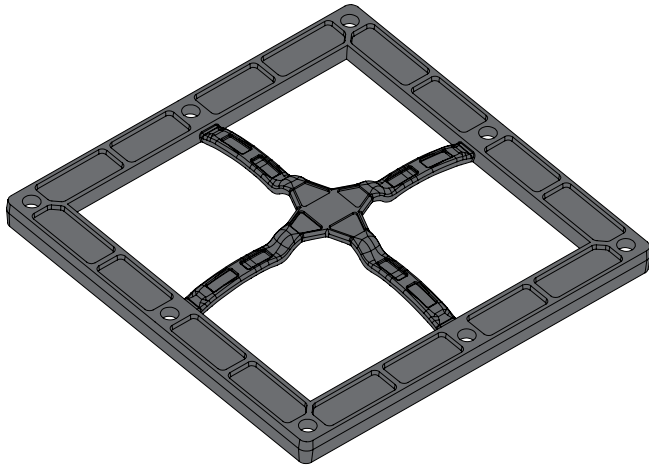
RECEPTACLE + SHORTING CAP (PER)

7-Pin Receptacle and Shorting Cap.



PRODUCT SPECIFICATIONS

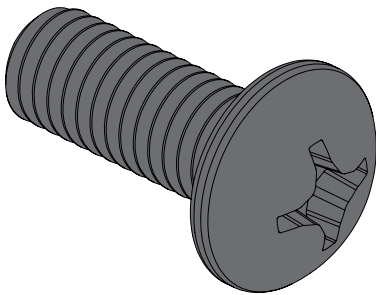
BLACK OPTIC FRAME



Black Optic Frame (BOF)

Optional Black Optic Frame.

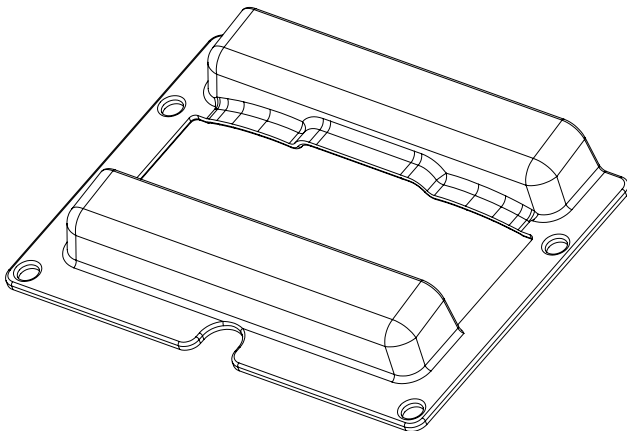
BLACK HARDWARE



Black Hardware (BH)

Black painted hardware.

HOUSE SIDE SHIELD (HSS)

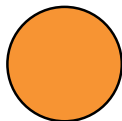


House Side Shield (HSS)

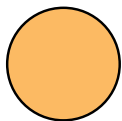
House Side Shield (**HSS**) is designed for stringent property line cutoff. Injection Molding Glass Filled Nylon, standard finish is black.

PRODUCT SPECIFICATIONS

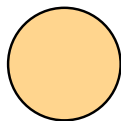
LED KELVIN RANGE



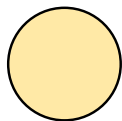
AMBER
585-600 nm



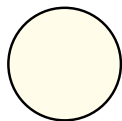
2700K 70 CRI



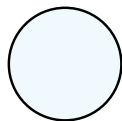
3000K 70 CRI



3500K 80 CRI



4000K 70 CRI



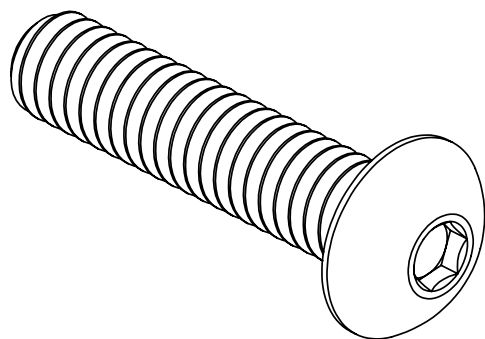
5000K 70 CRI

Color	Dominant or Peak Wavelength Range (nm)	
	Minimum	Maximum
Amber	585	600

Lumen Maintenance Data							
Ambient Temperature	Drive Current	L90 Hours*	L70 Hours**	30,000 Hours*	50,000 Hours*	60,000 Hours*	100,000 Hours**
25°C	Up to 700mA	58,000	173,000	95.7%	91.6%	89.6%	82.1%
	1050mA	48,000	143,000	94.3%	89.5%	87.2%	78.5%

*Reported extrapolations per IESNA TM-21 **Projected extrapolations per IESNA TM-21

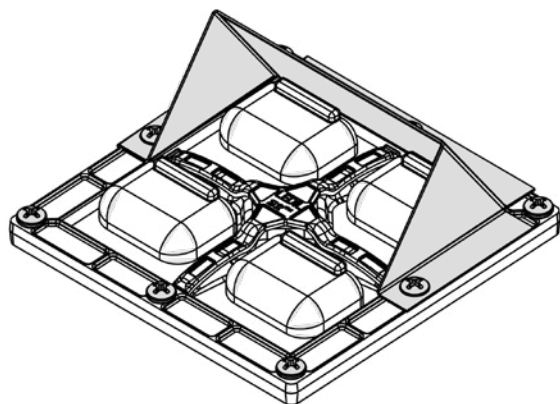
TAMPER PROOF HARDWARE



Tamper Proof Hardware (TPH)

316 Stainless Steel Button Head Hex Drive Screws. Provided to protect the optical assembly and the driver compartment for vandal resistance.

AUTOMOTIVE HOUSE SIDE SHIELD



Automotive House Side Shield (AHS)

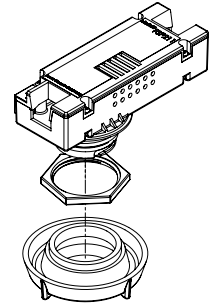
Automotive House Side Shield (AHS) is a single-sided shield allowing partial cut-off on either side or front of luminaire.

PRODUCT SPECIFICATIONS

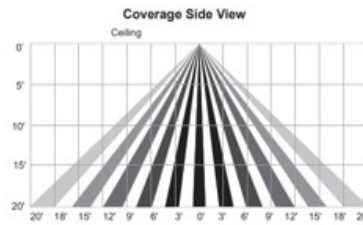
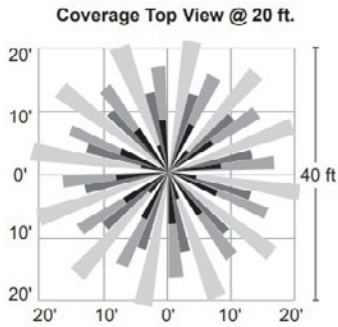
FSP-211 WITH MOTION SENSOR (FSP-XX)

- FSP-211 (FSP-X)—Passive infrared (PIR) sensor providing multi-level control based on motion/daylight contribution.
- All control parameters adjustable via wireless configuration remote storing and transmitting sensor profiles.
- FSP-20 mounting heights 9-20 feet
- FSP-40 mounting heights 21-40 feet.
- Includes 5 dimming event cycles, 0-10V dimming with motion sensing, re-programmable in the field.
- FSIR-100 commissioning remote is required to change sensor settings. Please contact factory for ordering.

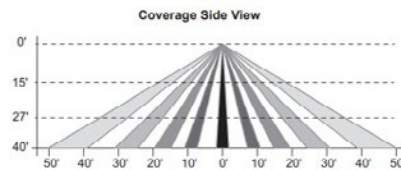
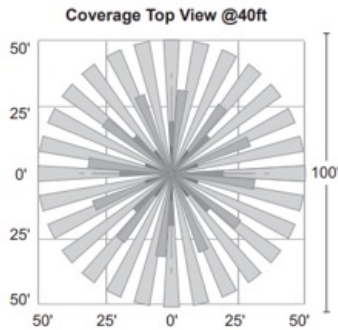
FSP-211



FSP-20



FSP-40



Sensor Specification

